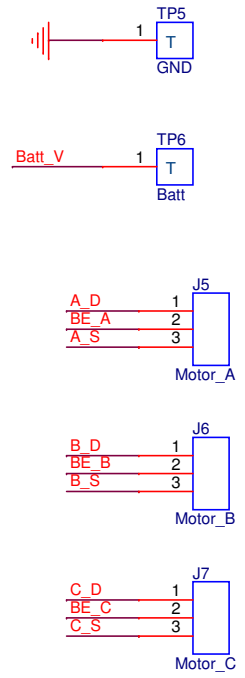
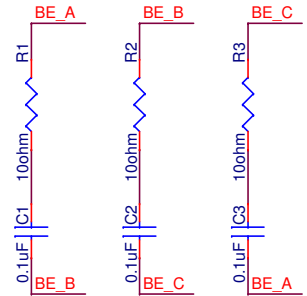
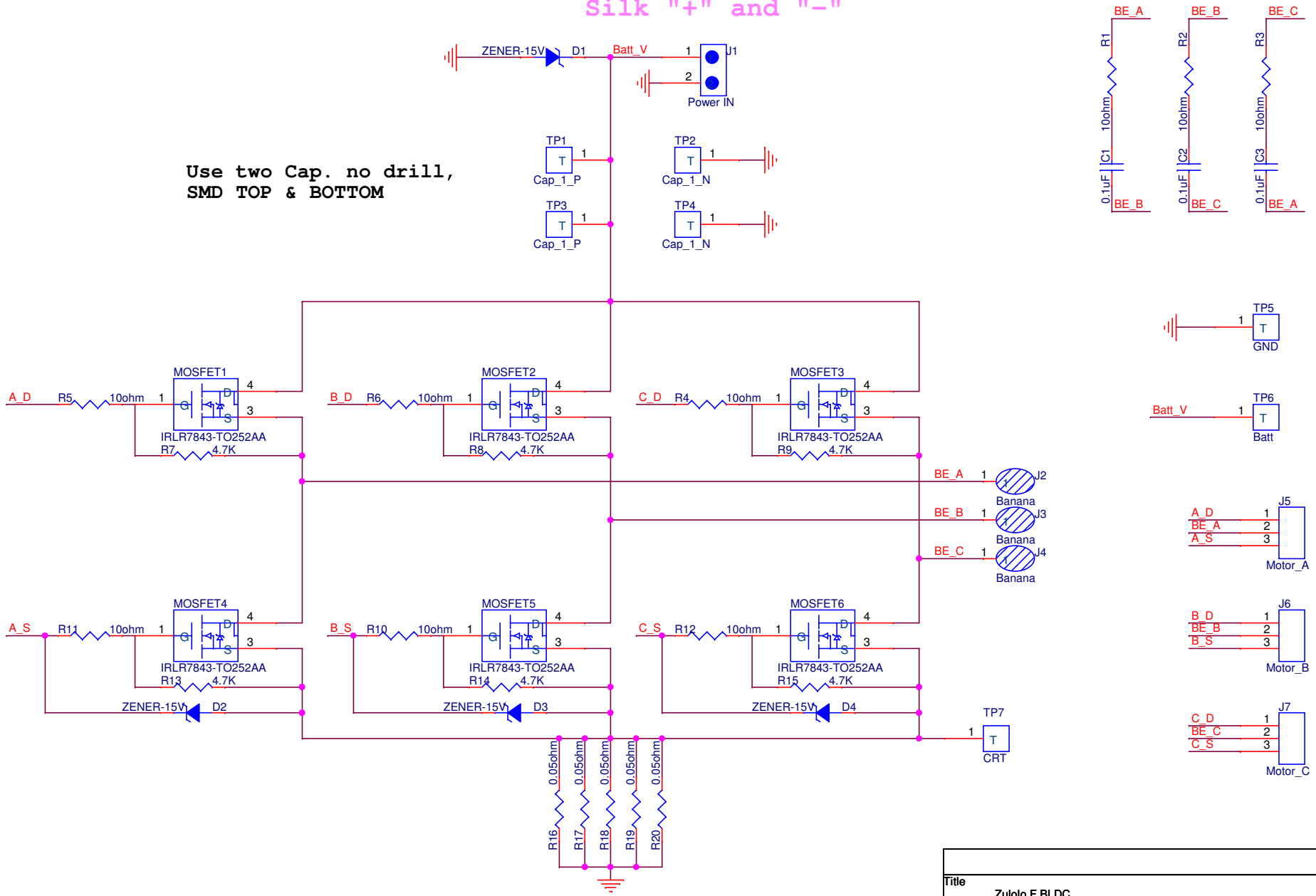


Silk "+" and "-"

Use two Cap. no drill,
SMD TOP & BOTTOM



Title		
Zulolo F BLDC		
Size	Document Number	Rev
A4	MOSFET Bridge	A
Date:	Thursday, December 04, 2014	Sheet 1 of 1