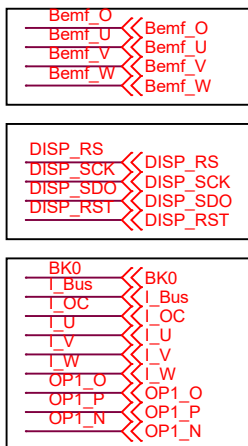
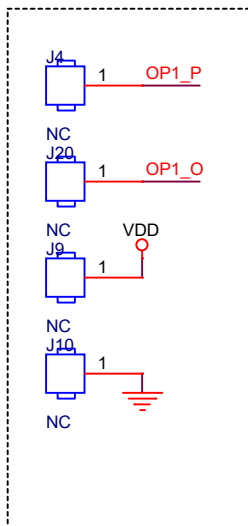
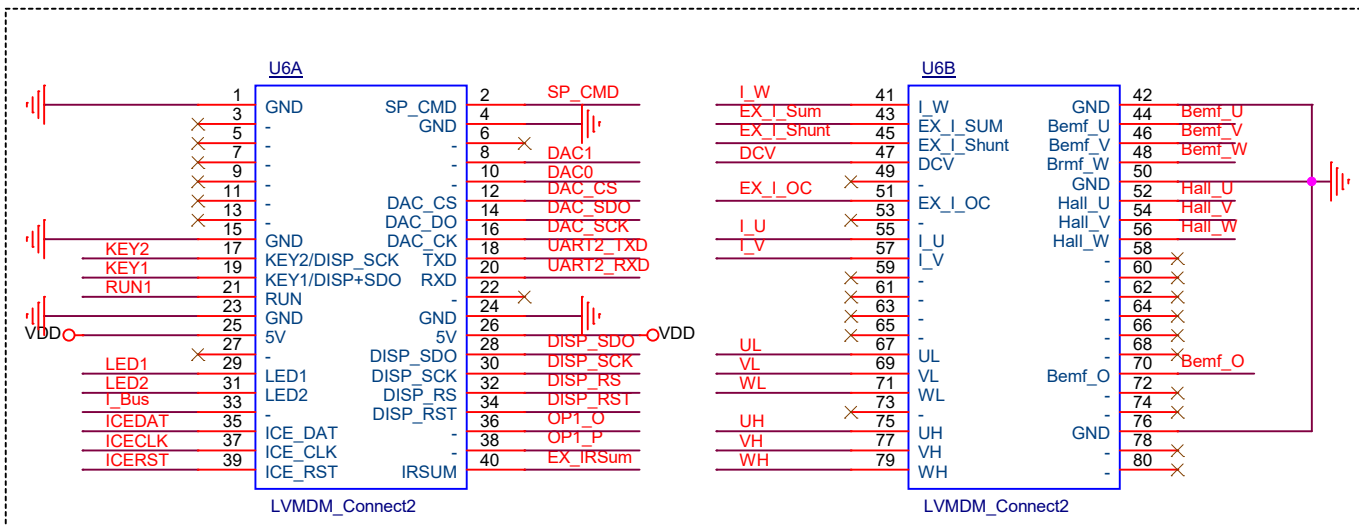


W11	DAC1
DAC0	DAC0
DAC_SDO	DAC_SDO
DAC_SCK	DAC_SCK
DAC_CS	DAC_CS
SPI1_SS	SPI1_SS
SPI1_CLK	SPI1_CLK
SPI1_MOSI	SPI1_MOSI
SPI1_MISO	SPI1_MISO
UH	UH
UL	UL
VH	VH
VL	VL
WH	WH
WL	WL
UART2_TXD	UART2_TXD
UART2_RXD	UART2_RXD
ICEDAT	ICEDAT
ICECLK	ICECLK
ICERST	ICERST
Hall_U	Hall_U
Hall_V	Hall_V
Hall_W	Hall_W
Bemf_O	Bemf_O
Bemf_U	Bemf_U
Bemf_V	Bemf_V
Bemf_W	Bemf_W
DISP_RS	DISP_RS
DISP_SCK	DISP_SCK
DISP_SDO	DISP_SDO
DISP_RST	DISP_RST
BK0	BK0
I_Bus	I_Bus
L_OC	L_OC
L_U	L_U
L_V	L_V
L_W	L_W
OP1_O	OP1_O
OP1_P	OP1_P
OP1_N	OP1_N
DCV	DCV
SP_CMD	SP_CMD
LED1	LED1
LED2	LED2
KEY1	KEY1
KEY2	KEY2
RUN1	RUN1
VDD	VDD
GND	GND



OffPage

