

# NAU88L11

## Ultra-Low Power Audio CODEC With ClassAB Power Amplifier

### GENERAL DESCRIPTION

The NAU88L11 is a cost effective ultra-low power high performance MONO audio CODEC. It's suitable for wide range of applications including industrial or portable audio applications. This CODEC includes I2S/PCM interface, Analog/Digital microphone interface, integrated DSP functions, high quality DAC and ADC, and a Class-AB power amplifier. The advanced on-chip digital signal processing features include a dynamic range compressor (DRC) and programmable biquad filter. The NAU88L11 digital and analog voltage can be operated as low as 1.62V, with Speaker Driver voltage operated from 2.5 to 3.6V.

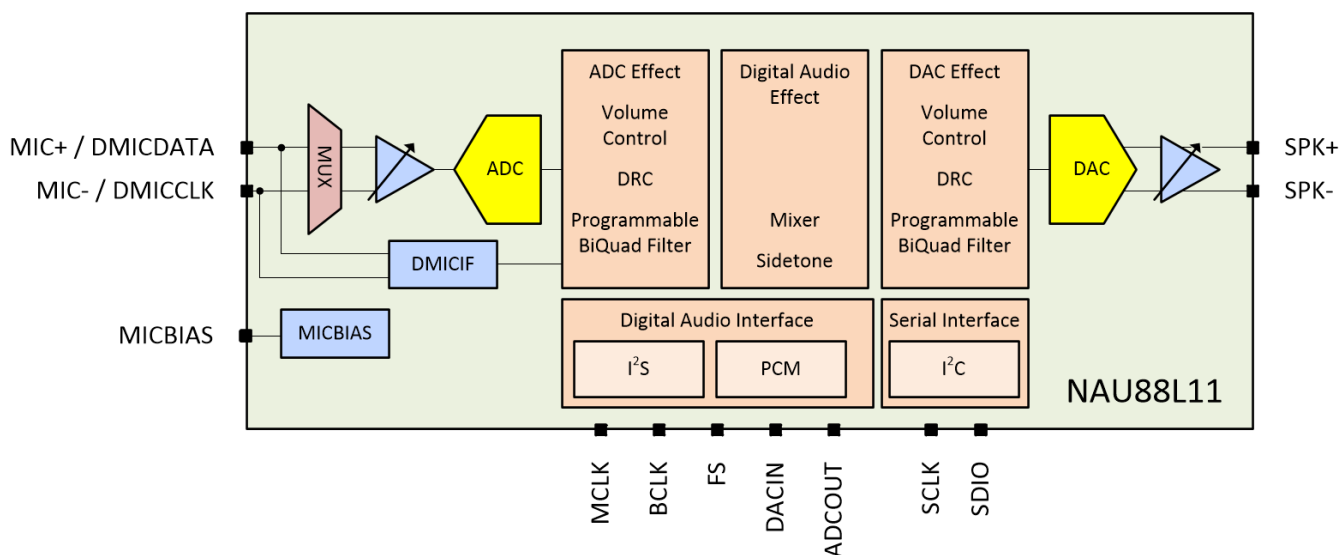
### FEATURES

- DAC SNR(A-weighted): 105dB@1.8V,  $R_L=8\Omega$ , DAC gain=11dB, THD= -85dB
- ADC SNR(A-weighted): 103dB@1.8V, MIC gain=0dB,  $F_s=48\text{kHz}$ , THD =-93dB
- Low Noise Microphone PGA SNR: 100dB@+18dB gain, 256x OSR
- Digital I2S/PCM I/O port
- Mono differential analog microphone input, or mono digital microphone input
- Low noise Microphone bias: <math>10\text{ uV}\_{\text{RMS}}</math> noise between 20~20kHz;
- Class AB Power Amplifier: 350mW @  $8\Omega$ , 1% THD+N
- Lineout Mode with Pop&Click Noise Suppression during startup
- Sampling rate from 8k to 96kHz
- Integrated DSP with specific functions:
  - Programmable Biquad filter
  - Dynamic Range Compressor (DRC)
- Package: 20 Pin QFN

### Applications

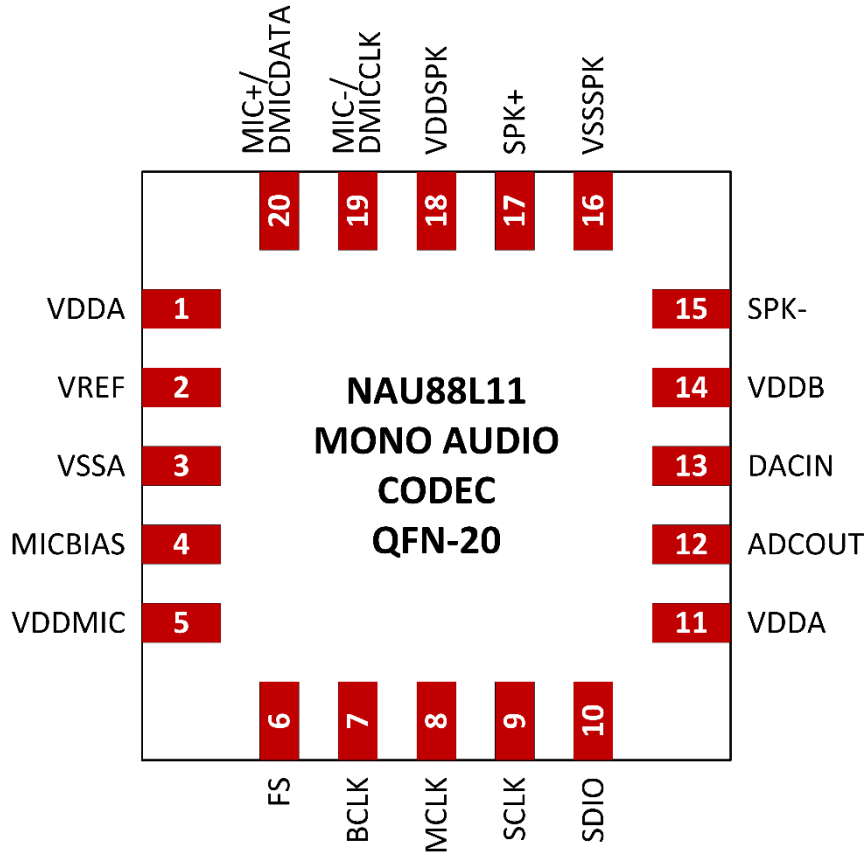
- Intercom
- Doorbell
- Portable Recording Device
- Wireless handsets /headsets
- Surveillance Camera
- Dash CAM
- Sports CAM
- Digital Still Cameras
- Speakerphone

### Block Diagram



Pin Diagram :

QFN 20-pin (4mm x 4mm)



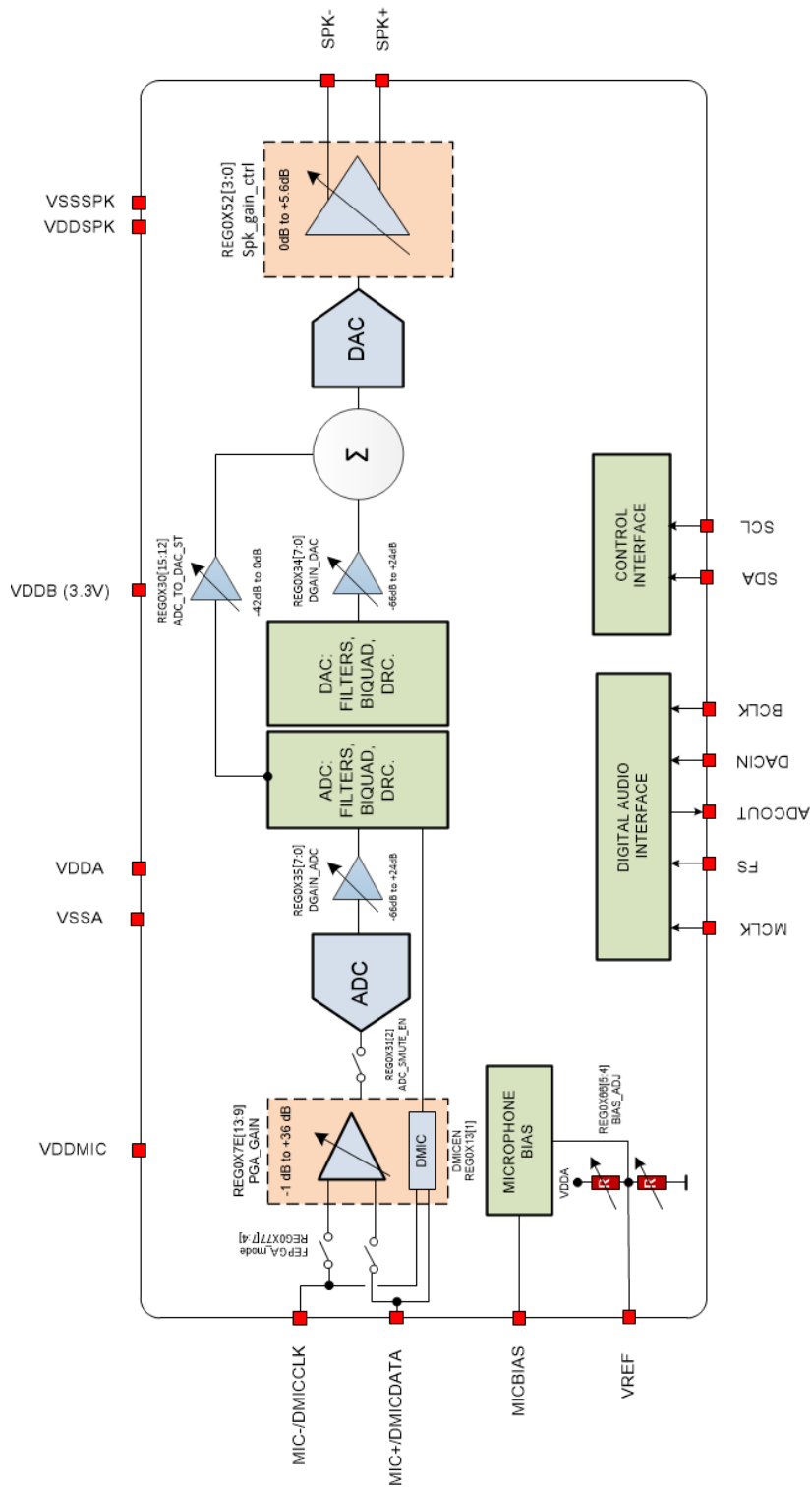
### Pin Description

Pin #	Name	Type	Functionality
1	VDDA	Supply	1.8V Analog Supply
2	VREF	Analog I/O	Internal DAC & ADC voltage reference decoupling I/O
3	VSSA	Ground	Analog Ground
4	MICBIAS	Analog Output	Microphone Bias Output
5	VDDMIC	Supply	Microphone supply
6	FS	Digital I/O	Frame Sync input / output for I2S / PCM data
7	BCLK	Digital I/O	Serial data bit clock input / output for I2S / PCM data
8	MCLK	Digital Input	CODEC external Master clock source input
9	SCLK	Digital Input	Serial Data Clock for I2C
10	SDIO	Digital I/O	Serial Data for I2C
11	VDDA	Supply	1.8V Analog Supply
12	ADCOUT	Digital Output	Serial Audio data Output for I2S / PCM data
13	DACIN	Digital Input	Serial Audio data input for I2S / PCM data
14	VDDDB	Supply	3.3V Digital I/O supply
15	SPK -	Analog Output	Speaker - channel output
16	VSSSPK	Ground	Speaker Driver Ground
17	SPK+	Analog Output	Speaker + channel output
18	VDDSPK	Supply	Speaker Driver Supply
19	MIC - / DMICCLK	Analog Input	Microphone - channel input / Digital Mic Clock pin
20	MIC + / DMICDATA	Analog Input	Microphone + channel input / Digital Mic Data Pin

Notes:

1. Unused MIC input pins should be left as no-connection.
2. Digital Microphone should be power by MICBIAS, with setting to V<sub>DDA</sub>

Functional Block Diagram



## Electrical Characteristics

Conditions:  $V_{DDA}=1.8V$ ,  $V_{DDB} = 3.3V$ ;  $V_{DDSPK}= 3.6V$ ,  $V_{DDMIC}= 3.6V$ .  
 $R_L= 8 \Omega$ ,  $f = 1KHz$ ,  $MCLK=12.88MHz$ , unless otherwise specified. Limits apply for  $T_A = 25^\circ C$

Symbol	Parameter	Conditions	Typical	Limit	Units (Limit)
I <sub>SB</sub>	Standby Current	V <sub>DDA</sub>	4	16	μA
		V <sub>DDB</sub>	1	5	
		V <sub>DDMIC</sub>	1	5	
I <sub>Q</sub>	Quiescent Current	f <sub>S</sub> = 48kHz, DAC On, SPK_DRV On, P <sub>OUT</sub> = 0mW. R <sub>L</sub> = 8Ω	20		mA
<b>Speaker Driver (V<sub>DDSPK</sub>= 3.6V, R<sub>L</sub> = 8Ω, BTL )</b>					
	Full-Scale output signal	V <sub>DDSPK</sub> = 3.6V, R <sub>L</sub> =8Ω	2.0		V <sub>RMS</sub>
P <sub>O</sub>	Output Power	DAC Gain = 0dB, THD+N = 1%	350		mW
THD+N	Total Harmonic Distortion + Noise	F=1020Hz, R <sub>L</sub> =80hm	-85		dB
SNR	Signal to Noise Ratio	V <sub>OUT</sub> = 2V <sub>RMS</sub> , SPK_DRV Gain=4.4dB, DAC_Gain = 11dB, A-Weighted	105		dB
PSRR	Power Supply Rejection Ratio	Ripple on V <sub>DDA</sub> = 200mVpp at 217Hz	80		dB
	Frequency Response	F = 20Hz ~ 20kHz	+0.1/-0.2		dB
<b>ADC</b>					
FS <sub>ADC</sub>	ADC Full Scale Input Level	V <sub>DDA</sub> = 1.8V	1		V <sub>RMS</sub>
THD+N	Total Harmonic Distortion + Noise	MIC Input=0.8V <sub>RMS</sub> , MIC GAIN=0dB, f=1KHz, f <sub>s</sub> = 48kHz, Differential Input	-90		dB
		MIC Input=0.8V <sub>RMS</sub> , MIC GAIN=30dB, f=1KHz, f <sub>s</sub> =16kHz, Differential Input	-90		dB
SNR	Signal to Noise Ratio	A-Weighted, MIC Gain = 0dB, f <sub>s</sub> = 48kHz, Differential Input	102		dB
		A-Weighted, MIC Gain = 6 dB, f <sub>s</sub> = 48kHz, Differential Input	100		dB
PSRR	Power Supply Rejection Ratio	Ripple on V <sub>DDA</sub> = 200mVpp at 217Hz MIC GAIN = 0dB Differential Input	70		dB
CMRR	Common Mode Rejection Ratio	Differential Input 100 mV <sub>RMS</sub> , PGA gain = 20dB, frequency sweep 20Hz ~ 20KHz	65		dB
	Minimum Input Impedance		10		kOhm
	Frequency Response	f = 20Hz ~ 20kHz	+0.1/-0.2		dB
	Power Consumption	No Signal, ADC on f <sub>s</sub> = 44.1kHz	7.9		mW
<b>MICBIAS</b>					
I <sub>OUT</sub>	Output Current	Low Noise Mode		4	mA
e <sub>os</sub>	Output Noise	Low Noise Mode, f = 20Hz ~ 20kHz MICBIAS=2.7V		10	uV <sub>RMS</sub>

Digital I/O

Parameter	Symbol	Comments/Conditions	Min	Max	Units
Input LOW level	V <sub>IL</sub>	V <sub>DDB</sub> = 1.8V		0.33* V <sub>DDB</sub>	V
		V <sub>DDB</sub> = 3.3V		0.37* V <sub>DDB</sub>	
Input HIGH level	V <sub>IH</sub>	V <sub>DDB</sub> = 1.8V	0.57* V <sub>DDB</sub>		V
		V <sub>DDB</sub> = 3.3V	0.63* V <sub>DDB</sub>		
Output HIGH level	V <sub>OH</sub>	I <sub>Load</sub> = 1mA	V <sub>DDB</sub> = 1.8V	0.9* V <sub>DDB</sub>	V
			V <sub>DDB</sub> = 3.3V	0.95* V <sub>DDB</sub>	
Output LOW level	V <sub>OL</sub>	I <sub>Load</sub> = 1mA	V <sub>DDB</sub> = 1.8V	0.1* V <sub>DDB</sub>	V
			V <sub>DDB</sub> = 3.3V	0.05* V <sub>DDB</sub>	

Recommended Operating Conditions

Condition	Symbol	Min	Typical	Max	Units
Digital I/O Supply Range	V <sub>DDB</sub>	1.62	3.3	3.6	V
1.8V Supply Range**	V <sub>DDA</sub>	1.62	1.8	1.98	V
Speaker Driver Supply Range	V <sub>DDSPK</sub>	2.5	3.3	3.6	V
Microphone Bias Supply Voltage	V <sub>DDMIC</sub>	3.0	3.3	3.6	V
Temperature Range	T <sub>A</sub>	-40		+85	°C

\*\* Note: DMIC Supply power should be connected to MICBIAS, and set same as V<sub>DDA</sub>.

Absolute Maximum Ratings

Parameter	Min	Max	Units
Digital I/O Supply Range	-0.3	4.0	V
1.8V Supply Range	-0.3	2.2	V
Speaker Driver Supply Range	-0.3	4.0	V
Microphone Bias Supply Voltage	-0.3	4.0	V
Voltage Input Digital Range	V <sub>SSD</sub> - 0.3	V <sub>DDA</sub> + 0.3	V
Voltage Input Analog Range	V <sub>SSA</sub> - 0.3	V <sub>DDA</sub> + 0.3	V
Junction Temperature, T <sub>J</sub>	-40	+150	°C
Storage Temperature	-65	+150	°C

CAUTION: Do not operate at or near the maximum ratings listed for extended periods. Exposure to such conditions may adversely influence product reliability and result in failures not covered by warranty.

Table of Contents

**PIN DIAGRAM : ..... 2**

**PIN DESCRIPTION..... 3**

**FUNCTIONAL BLOCK DIAGRAM ..... 4**

**ELECTRICAL CHARACTERISTICS ..... 5**

**1. GENERAL DESCRIPTION ..... 9**

    1.1 Analog and Digital Inputs..... 9

    1.2 Analog Output ..... 9

    1.3 ADC, DAC and Digital Signal Processing..... 9

    1.4 Digital Interfaces..... 10

**2. POWER SUPPLY ..... 10**

    2.1 Power on and off reset ..... 10

**3. INPUT PATH DETAILED DESCRIPTIONS..... 11**

    3.1 Analog Microphone Inputs..... 11

    3.2 Digital Microphone Input..... 12

    3.3 VREF..... 12

    3.4 MIC Bias..... 13

    3.5 MIC detect..... 13

    3.6 Key Detect..... 13

**4. ADC DIGITAL BLOCK ..... 14**

    4.1 ADC Dynamic Range Compressors (DRC)..... 14

        4.1.1 Level Estimation ..... 14

        4.1.2 Static Curve ..... 15

    4.2 ADC Digital Volume Control ..... 17

    4.3 ADC Programmable Biquad Filter ..... 17

    4.4 Additional ADC Application Notes ..... 18

**5. DAC DIGITAL BLOCK ..... 19**

    5.1 DAC Digital Volume Control, Mute and Channel selection..... 19

    5.2 DAC Soft Mute ..... 19

    5.3 DAC Auto Mute ..... 19

    5.4 DAC Programmable Biquad Filter ..... 20

    5.5 DAC Dynamic Range Control (DRC)..... 20

        5.5.1 Level Estimation ..... 20

        5.5.2 Static Curve ..... 21

    5.6 DAC Path with Sidetone..... 22

    5.7 Speaker Output ..... 22

    5.8 Lineout Configuration ..... 23

    5.9 Speaker Driver Short Circuit Protection..... 24

    5.10 Companding..... 25

        5.10.1  $\mu$ -law..... 25

        5.10.2 A-law ..... 25

**6. POWER UP AND START SEQUENCE..... 26**

    6.1 Basic Register Sequence ..... 27

    6.2 Clock Detection ..... 29

    6.3 MCLK / FS Clock Setting in Slave Mode ..... 30

6.4	ADC/DAC Oversampling Rate.....	32
<b>7.</b>	<b>CONTROL INTERFACES .....</b>	<b>33</b>
7.1	2-Wire-Serial Control Mode (I <sup>2</sup> C Style Interface).....	33
7.2	2-Wire Protocol Convention.....	33
7.3	2-Wire Write Operation.....	34
7.4	2-Wire Read Operation.....	35
7.5	Digital Serial Interface Timing.....	36
7.6	Software Reset.....	37
7.7	I <sup>2</sup> C Addresses .....	37
<b>8.</b>	<b>DIGITAL AUDIO INTERFACES .....</b>	<b>38</b>
8.1	Right-Justified Audio Data .....	38
8.2	Left-Justified Audio Data .....	39
8.3	I2S Audio Data .....	39
8.4	PCMA Audio Data .....	39
8.5	PCMB Audio Data .....	40
8.6	PCM Time Slot Audio Data.....	40
8.7	TDM I2S Audio Data .....	41
8.8	TDM PCMA Audio Data.....	41
8.9	TDM PCMB Audio Data.....	42
8.10	TDM PCM Offset Audio Data .....	42
8.11	Digital Audio Interface Timing Diagrams .....	43
8.11.1	Digital Audio Interface Slave Mode .....	43
<b>9.</b>	<b>CONTROL AND STATUS REGISTERS.....</b>	<b>44</b>
<b>10.</b>	<b>TYPICAL APPLICATION DIAGRAM WITH ANALOG MICROPHONE .....</b>	<b>59</b>
10.1	Typical Application Diagram with Digital Microphone .....	60
<b>11.</b>	<b>PACKAGE INFORMATION.....</b>	<b>61</b>
<b>12.</b>	<b>ORDERING INFORMATION .....</b>	<b>62</b>
<b>13.</b>	<b>APPENDIX.....</b>	<b>63</b>
13.1	MCLK/FS Table: Group 1 MCLK_INT/FS ratio of 256.....	63
13.2	MCLK/FS Table: Group 1 MCLK_INT/FS ratio of 400.....	64
13.3	MCLK/FS Table: Group 1 MCLK_INT/FS ratio of 500.....	65
<b>14.</b>	<b>REVISION HISTORY .....</b>	<b>66</b>
	<b>IMPORTANT NOTICE .....</b>	<b>67</b>



## 1. General Description

NAU88L11 is an ultra-low power, highly integrated CODEC, which features mono audio DAC, and mono audio ADC, that supports Analog and Digital Microphone Input. NAU88L11 includes DSP functions including DRCs (Dynamic Range Compression) and programmable biquad filters. The NAU88L11 supports a full range of audio formats including Left-justified, I<sup>2</sup>S, and multiple PCM formats. The NAU88L11 device is controlled through 2-wire digital control interface. The NAU88L11 digital and analog voltage can be operated as low as 1.62V, with Speaker Driver voltage operated from 2.5 to 3.6V. Mic bias voltage supply is upgraded to support voltages up to 3.6V.

### 1.1 Analog and Digital Inputs

The NAU88L11 provides an analog input to acquire and process audio signals from a microphone with high fidelity and flexibility. The mono input path that can be used to capture signals from single-ended or a differential source. The channel has a fully differential programmable gain amplifier (PGA). The outputs of the PGA connect to the ADC.

The NAU88L11 also has an input for a digital microphone. The NAU88L11 provides a DMICCLK, (the clock signal) for the digital microphones. Note that the analog and the digital microphone inputs cannot be used simultaneously.

### 1.2 Analog Output

NAU88L11 has a Class AB speaker driver that is fed by the high quality DAC. The speaker driver has a gain control from 0dB to +5.6dB and Mute. The Speaker driver output can also be used as lineout. The speaker driver is capable of delivering 350mW into 8Ω with 1% THD+N.

### 1.3 ADC, DAC and Digital Signal Processing

The NAU88L11 has a high quality ADC and DAC. These are high performance 24-bit sigma-delta converters, which are suitable for a very wide range of applications. The ADC and DAC have functions that individually support digital mixing and routing. The ADC and DAC blocks also support advanced digital signal processing subsystems that enable a very wide range of programmable signal conditioning and signal optimizing functions. All digital processing is done with 24-bit precision to minimize processing artifacts and maximize the audio dynamic range supported by the NAU88L11.

The ADC and DAC digital signal process can support two-point dynamic range compressors (DRCs), programmable biquad filters configurable for low pass filters, high pass filters, Notch filter, Bell, low shelf, and high shelf filters with various gain, Q, and frequency controls. Two-point DRCs can be programmed to limit the maximum output level and/or boost a low output level. The biquad filters can be configured as high pass filters intended for DC-blocking or low frequency noise reduction, such as reducing unwanted ambient noise or “wind noise” on a microphone input.

## 1.4 Digital Interfaces

Command and control of the device is accomplished by using the I<sup>2</sup>C interface.

The digital audio I/O data streams transfer separately from command and control using either I<sup>2</sup>S or PCM audio data protocols. These simple but highly flexible interface protocols are compatible with most commonly used serial data protocols, host drivers, and industry standard I<sup>2</sup>S and PCM devices.

## 2. Power Supply

This NAU88L11 has been designed to operate reliably using a wide range of power supply conditions and power-on/power-off sequences. Because of this, there are no special requirements for the sequence or rate at which the various power supply pins change. Any supply can rise or fall at any time without harming the device. However, pops and clicks may result from some conditions. For Lineout mode, optimum handling of hardware and software power-on and power-off sequences are described in more detail in the Lineout configuration section.

### 2.1 Power on and off reset

The NAU88L11 includes a power on reset circuit on chip. The circuit resets the internal logic control at V<sub>DDA</sub> supply power up and this reset function is automatically generated internally when power supplies are too low for reliable operation. The reset threshold is approximately 0.55Vdc and 1.0Vdc for V<sub>DDA</sub>. It should be noted that these values are much lower than the required voltage for normal operation of the chip.

The reset is held on while the power levels for both V<sub>DDA</sub> are below their respective thresholds. Once the power levels rise above their thresholds, the reset is released. Once the reset is released, the registers are ready to be written to. It is also important to note that all the registers should be kept in their reset state for at least 6μs.

An additional internal RC filter based circuit is added which helps the circuit respond for fast ramp rates (~10μs) and generate the desired reset period width (~10μs at typical corner). This filter is also used to eliminate supply glitches which can generate a false reset condition, typically 50ns.

For reliable operation, it is recommended to write **SOFTWARE\_RST**, REG 0x00 upon power up. This will reset all registers to the known default state. Note that when V<sub>DDA</sub> is below the power on reset threshold, then the digital IO pins will go into a tri-state condition.

Note that when V<sub>DDA</sub> are below the power on reset threshold, then the digital IO pins will go into a tri-state condition.

### 3. Input Path Detailed Descriptions

NAU88L11 is design with a low noise, high common mode rejection ratio analog microphone differential input. The microphone input MIC+/- are followed by -1dB to 36dB PGA gain stage that has a fixed 12kOhm input impedance.

The input is maintained at a DC bias of approximately 1/2 of the V<sub>DDA</sub> supply voltage. Connections to the input should be AC-coupled by means of external DC blocking capacitors suitable for the device application.

The differential microphone input structure is essential in noisy digital systems where amplification of low-amplitude analog signals is necessary such as in portable digital devices.

A differential input is also very useful to reduce ground noise in systems in which there are ground voltage differences between different chips and components. When properly implemented, the differential input architecture offers an improved power-supply rejection ratio (PSRR) and higher ground noise immunity.

#### 3.1 Analog Microphone Inputs

The analog microphone input is routed to a Front End Programmable Gain Amplifier(FEPGA). The input stage can be configured in different modes by using **FEPGA\_MODE**. The FEPGA gain can be varied from -1dB to 36dB in 1dB steps. The gain stage has a fixed 12kΩ input impedance and can be individually enabled or disabled using the powerup control signal, **PUPL**, REG 0x7F[15].

As shown below:

The input path control is done through S1~S6. Related Register and configuration is provided in blow input block diagram.

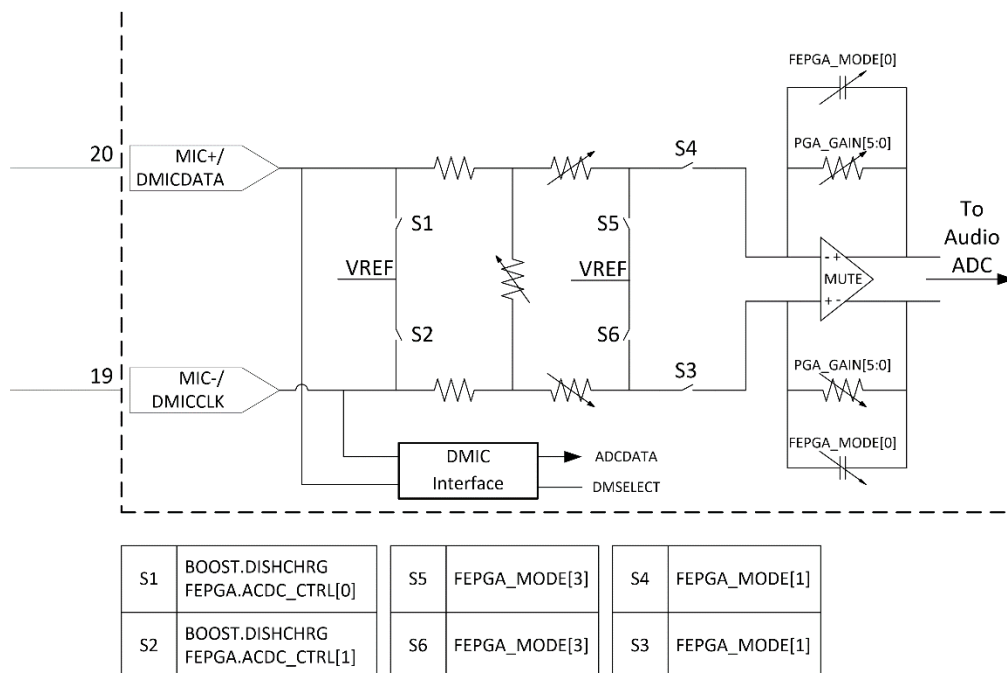


Figure 1: Microphone Input Block Diagram with Registers

### 3.2 Digital Microphone Input

The MIC- and MIC+ pins can be used for the digital microphone input. MIC- is the clock for the digital microphone and the MIC+ is the data in. DMIC supply voltage must be provided by MICBIAS, and set the same as  $V_{DDA}$ .

### 3.3 VREF

The NAU88L11 includes a mid-supply reference circuit that produces a voltage close to  $V_{DDA}/2$ . This “VREF” pin should be decoupled to VSS through an external bypass capacitor. Because  $V_{REF}$  is used as a reference voltage inside the NAU88L11, a large capacitance is required to achieve good power supply rejection at low frequency. Typically, a value of  $4.7\mu\text{F}$  should be used. The  $V_{REF}$  voltage can be enabled by setting **VMIDEN**, REG 0x66[6] and the output impedance can be set using **VMIDSEL**.

VMIDSEL	VREF Resistor Selection	VREF Impedance
00	Open, no resistor selected	Open, no impedance installed
01	50kOhm	25kOhm
10	250kOhm	125kOhm
11	5kOhm	2.5kOhm

Table 1: VREF Impedance Selection

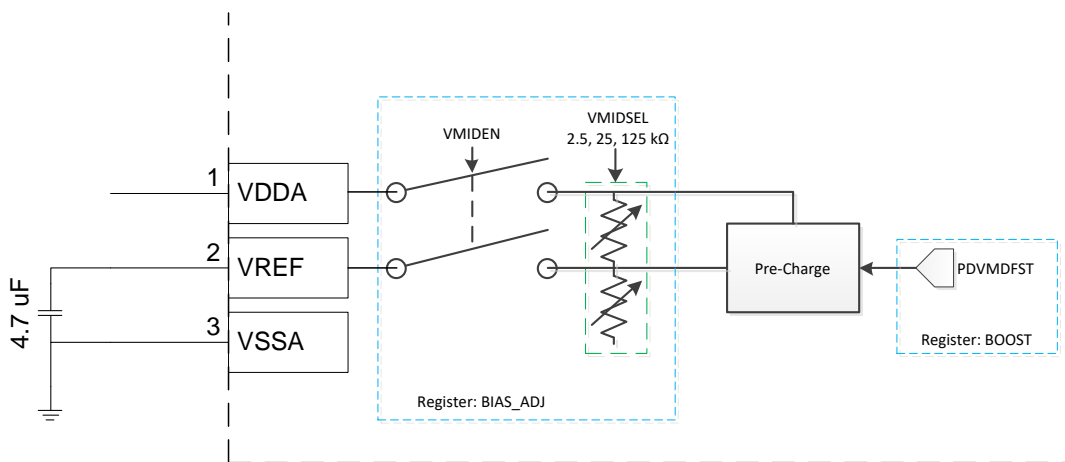


Figure 2: VREF Circuitry

### 3.4 MIC Bias

The NAU88L11 provides a MICBIAS pin to power an electret type microphone. The MICBIAS pin is the low impedance output of the MIC Bias LDO. An external 2k $\Omega$  resistor has to be used if the analog microphone is biased by this pin. This pin can be enabled by using **POWERUP**, REG 0x74[8] and the level can be set by using **MICBIASLVL1**,REG 0x74[2:0].

MICBIAS has three modes of operation selected by **MB\_LPMODE**, REG 0x74[4:3]. It can be operated as low noise mode, low power mode or ultra low power mode. See electrical characteristics for expected operating values. Ultra Low Power Mode can be used for Voice wakeup applications. Low power mode is ideally suited for digital MIC applications.

### 3.5 MIC detect

The MIC detect is used to detect whether a microphone is connected to the MICBIAS output. The detection is made internally to the MICBIAS block by determining current draw from the MICBIAS pin. The status of the Mic detect can be read from **IRQ\_STATUS.MICDET**. Mic detection is triggered when MICBIAS voltage drops 25mV below MICBIAS1 value set by **MICBIASLVL1**.

### 3.6 Key Detect

Key detect is used to detect when a key is pressed on the microphone (e.g. to answer/end a call). In this mode, the MICBIAS output is shunted through an external 2k $\Omega$  resistor to GND and a key detect interrupt status is set in **IRQ\_STATUS.KEYDET**,REG 0x10[11]. Key detection is triggered at 85mV reference to GND.

## 4. ADC Digital Block

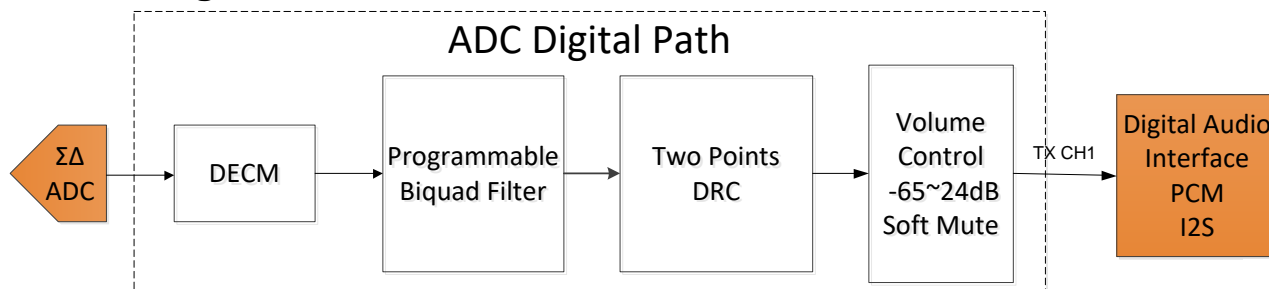


Figure 2 ADC Digital Path

The ADC digital block takes the output of the 24-bit Analog-to-Digital converter and performs signal processing aimed at producing a high quality audio sample stream to the audio path digital interface. The above figure shows the functional blocks associated with the ADC digital path.

This block can be enabled by using **ENA\_CTRL.ADCEN**, REG 0x01[12]. Oversampling is used to improve noise and distortion performance without affecting the final audio sample rate. The **ADC\_RATE**, REG 0x2B[1:0] can be used to set the ADC OSR and **SMPL\_RATE**, REG 0x2B[7:5] should be set to the value closest to the actual sample rate. The polarity of the ADC output signal can be controlled independently. This data management feature can help minimize subsequent audio processing that may be otherwise required, as the data is passed through stages in the system.

The full-scale input level is proportional to  $V_{DDA}$ . For example, with a 1.8V supply voltage, the full-scale level is  $1.0V_{RMS}$ .

### 4.1 ADC Dynamic Range Compressors (DRC)

The ADC in the digital signal path is design with a a two-point dynamic range compressor (DRC) for advanced signal processing. The DRC can be programmed to limit the maximum output level and/or boost a low output level signal. The DRC function consists of level estimation and static curve control.

#### 4.1.1 Level Estimation

The NAU88L11 uses Peak level estimation that depends on the attack and decay time settings, which can be programmable by register settings as in below table.

BITS	DRC_PK_COEF1_ADC	DRC_PK_COEF2_ADC
0000	Ts	63*Ts
0001	3*Ts	127*Ts
0010	7*Ts	255*Ts
0011	15*Ts	511*Ts
0100	31*Ts	1023*Ts
0101	63*Ts	2047*Ts
0110	127*Ts	4095*Ts
0111	255*Ts	8191*Ts

Table 2: ADC Level Estimation - Attack and Decay Time Register Settings

Please note that Ts is the sampling time given by 1/(Sampling Frequency)

### 4.1.2 Static Curve

The DRC static curve supports up to five programmable sections as below figure.

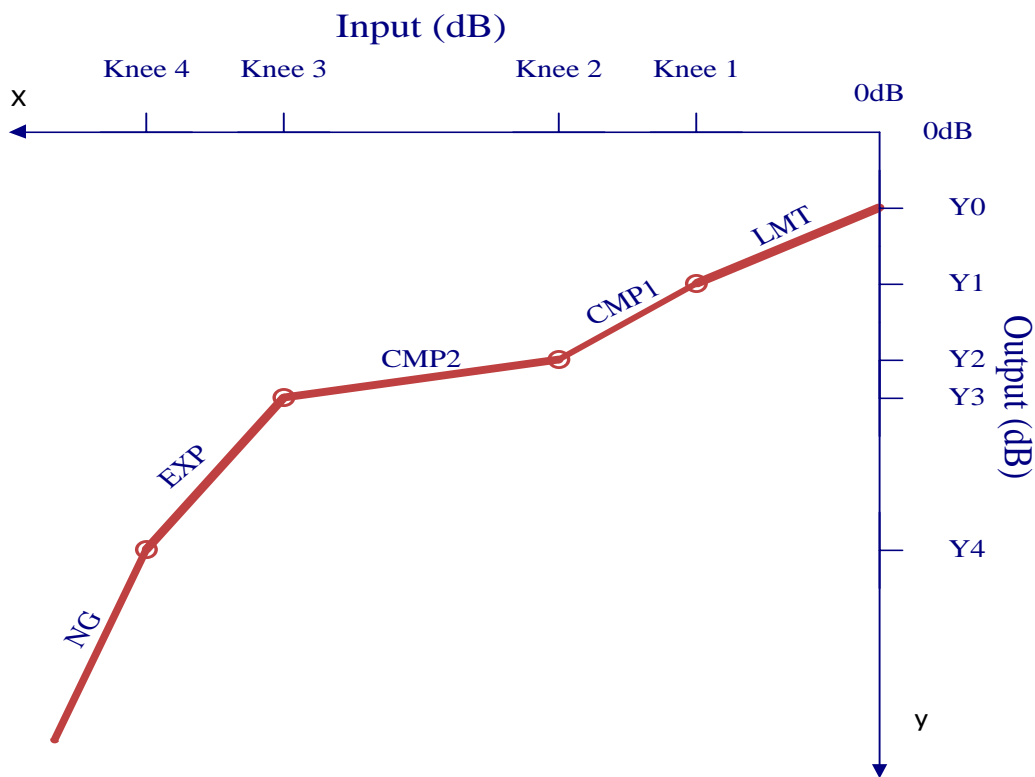


Figure 3 DRC Static Characteristic

Each section on the characteristic (labeled NG, EXP, CMP2, CMP1, and LMT) can be controlled by setting the slope and knee point values, in their respective registers.

The table below provides the corresponding register locations.

Static Curve Section	Slope	Knee Point
LMT	0, 1/2, 1/4, 1/8, 1/16, 1/32, 1/64, 1	
CMP1	0, 1/2, 1/4, 1/8, 1/16, 1	0 to -31dB with -1dB step
CMP2	0, 1/2, 1/4, 1/8, 1/16, 1	0 to -63dB with -1dB step
EXP	1, 2, 4	-18 to -81dB with -1dB step
NG	1, 2, 4, 8 s	-35 to -98dB with -1dB step

Table 3: ADC DRC Static Curve control registers

The output Y values can be determined based on the slopes and knee points selected. Y1 is always equal to Knee 1, as an initial and default condition.

$$Y1 = \text{Knee } 1$$

$$Y0 = Y1 - (\text{Knee } 1) * (\text{LMT Slope})$$

$$Y2 = (\text{Knee } 2 - \text{Knee } 1) * (\text{CMP1 Slope}) + Y1$$

$$Y3 = (\text{Knee } 3 - \text{Knee } 2) * (\text{CMP2 Slope}) + Y2$$

$$Y4 = (\text{Knee } 4 - \text{Knee } 3) * (\text{EXP Slope}) + Y3$$

The attack time and decay time is programmable as shown in the Table 4. And the smooth knee filter can be also enabled by register setting.

Application Notes:

- The Y axis distance adjusting along curve cannot exceed 36dB.
- Smooth Knee filter function can be enabled by using **DRC\_SMTH\_ENA\_ADC, REG 0x36[7]**.
- The attack time can be set using **DRC\_ATK\_ADC, REG 0x39[7:4]**.
- The decay time can be set using **DRC\_DCY\_ADC, REG 0x39[3:0]**

BITS	DRC_ATK_ADC	DRC_DCY_ADC
0000	Ts	63*Ts
0001	3*Ts	127*Ts
0010	7*Ts	255*Ts
0011	15*Ts	511*Ts
0100	31*Ts	1023*Ts
0101	63*Ts	2047*Ts
0110	127*Ts	4905*Ts
0111	255*Ts	8191*Ts
1000	511*Ts	16383*Ts
1001	1023*Ts	32757*Ts
1010	2047*Ts	65535*Ts
1011	4095*Ts	
1100	8191*Ts	

Table 4: ADC Attack and Decay Time Register Settings



### 4.2 ADC Digital Volume Control

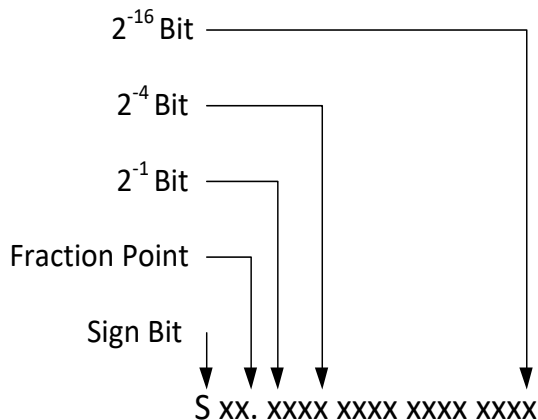
The digital volume control feature allows adjustment of the audio volume coming from ADC using a two-stage volume control. This allows the gain to be adjusted from -66dB to +24dB in 0.5dB steps. Also included is a mute value that will reduce the output signal of the ADCs to zero. To adjust the channel volume controls, use register: **DGAIN\_ADC, REG 0x35[7:0]**.

### 4.3 ADC Programmable Biquad Filter

The NAU88L11 has 2 dedicated digital biquad filters. One for the ADC path, and another for the DAC path. The biquad filter is a second-order recursive linear filter with two poles and two zeros. Its transfer function in the Z-domain consists of two quadratic functions:

$$H(z) = \frac{B_0 + B_1Z^{-1} + B_2Z^{-2}}{1 + A_1Z^{-1} + A_2Z^{-2}}$$

The coefficients  $A_1, A_2, B_0, B_1, B_2$  are represented in the 3.16 format described below



Each Biquad Coefficient has 19 bits in total, as formatted below

- S is the sign bit (1 bit),
- xx are integers ( 2bits)
- 16 fractional bits (16 bits)

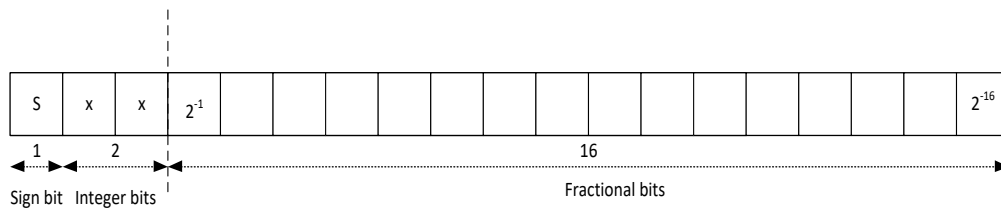


Figure 5: Number format description for biquad filters coefficients.

Application Notes:

- Biquad filter coefficients for the ADC with 3.16 format for A1, A2, B0, B1, and B3 are located in below registers.
  - **BIQ0\_COF2.BIQ\_A1\_H** and **BIQ0\_COF1.BIQ\_A1\_L**
  - **BIQ0\_COF4.BIQ\_A2\_H** and **BIQ0\_COF3.BIQ\_A2\_L**
  - **BIQ0\_COF6.BIQ\_B0\_H** and **BIQ0\_COF5.BIQ\_B0\_L**
  - **BIQ0\_COF8.BIQ\_B1\_H** and **BIQ0\_COF7.BIQ\_B1\_L**
  - **BIQ0\_COF10.BIQ\_B2\_H** and **BIQ0\_COF9.BIQ\_B2\_L**
  
- To program the biquad filter in the ADC path, write **BIQ0\_COF1** to **BIQ0\_COF10** for coefficients.
  
- To turn on the biquad filter in the ADC path, write ‘1’ to **BIQ0\_COF10.BIQ\_EN**.

**4.4 Additional ADC Application Notes**

- **CLK\_ADC\_PL**, REG 0x03[10] sets the ADC clock polarity
- **CLK\_ADC\_SRC**, REG 0x03[7:6] can reduce the clock speed
- **ADC\_TX\_SEL**, REG 0x1B[3:2] allows ADC data be placed in selected time slots to output on the I<sup>2</sup>S interface
- It is recommended to match **ADC\_RATE**, REG 0x2B[1:0] with **CLK\_ADC\_SRC** according to the table below

ADC_RATE	CLK_ADC_SRC
00(OSR=32)	11(CODEC 1/8)
01(OSR=64)	10(CODEC1/4)
10(OSR=128)	01(CODEC 1/2)
11(OSR=256)	00(CODEC CLK)

Table 5: ADC\_RATE and CLK\_ADC\_SRC Pairs

## 5. DAC Digital Block

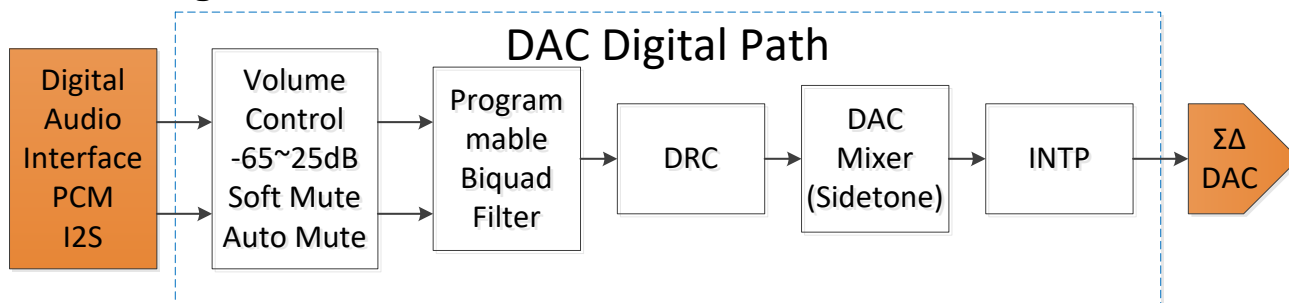


Figure 4 DAC Digital Path

The DAC digital block uses 24-bit signal processing to generate analog audio with a 16-bit digital sample stream input. This block consists of a sigma-delta modulator, programmable biquad filter, and a DRC. The full-scale output level is proportional to  $V_{DDA}$ . For example, with a 1.8V supply voltage, the full-scale level is 1.0  $V_{RMS}$ . The oversampling feature of the DAC can be changed from 32x to 256x for improved audio performance at higher power consumption. The DAC output signal polarity can be changed using register setting. This can help minimize any audio processing that may be required as the data is passed from other stages of the system. The DAC channel is enabled by **DACEN**, REG 0x01[13]

### 5.1 DAC Digital Volume Control, Mute and Channel selection

The DAC has a digital volume controls that allow the user to adjust the gain from –66dB to +24dB in 0.5dB steps. **DGAIN\_DAC**, REG 0x34[7:0]. Also included is a mute setting that will reduce the path gain to a minimum, control is through register **DGAIN\_DAC**. When using full scale input or **DGAIN\_DAC** above 0dB, it is recommended for best performance to set the DAC control bit, **DAC\_CTRL1.CICCLP\_OFF** as 0, and set **DAC\_CTRL1.CIC\_GAIN\_ADJ** for optimal output amplitude.

### 5.2 DAC Soft Mute

The soft mute function works for both the DAC and the ADC and gradually attenuates the volume of the signal to zero. The soft mute ramps the DAC digital volume down to zero when enabled by register **SMUTE\_EN**, REG0X31[9]. When disabled, the volume increases to the specified volume level. This soft mute feature provides for pop and click reduction in DAC signal path when the chip powers up. ADC soft mute features is controlled by **ADC\_SMUTE\_EN**.

### 5.3 DAC Auto Mute

This feature is implemented for DAC in NAU88L11. In the automatic mode, first the signal **AMUTE\_EN**, REG 0x31[11] needs to be enabled. When 1024 consecutive zeros samples are detected, the analog mute signal is asserted and its status is written to **ANALOG\_MUTE**, REG 0x59[10]. As soon as the first non-zero sample is detected, analog mute signal is de-asserted. If at any time there is a non-zero sample value, the DAC will be unmuted, and the 1024 count will be reinitialized to zero.

### 5.4 DAC Programmable Biquad Filter

Application Notes:

- Biquad filter coefficients for the DAC with 3.16 format for A1, A2, B0, B1, and B3 are located in below registers.
  - **BIQ1\_COF2.BIQ\_A1\_H** and **BIQ1\_COF1.BIQ\_A1\_L**
  - **BIQ1\_COF4.BIQ\_A2\_H** and **BIQ1\_COF3.BIQ\_A2\_L**
  - **BIQ1\_COF6.BIQ\_B0\_H** and **BIQ1\_COF5.BIQ\_B0\_L**
  - **BIQ1\_COF8.BIQ\_B1\_H** and **BIQ1\_COF7.BIQ\_B1\_L**
  - **BIQ1\_COF10.BIQ\_B2\_H** and **BIQ1\_COF9.BIQ\_B2\_L**
  
- To program the biquad filter in the DAC path, write **BIQ1\_COF1** to **BIQ1\_COF10** for coefficients.

To turn on the biquad filter in the DAC path, write '1' to **BIQ1\_COF10.BIQ1\_EN**.

### 5.5 DAC Dynamic Range Control (DRC)

The DAC DRC functions in the same way as the ADC DRC explained in Section 4.1. However, different control registers are used.

#### 5.5.1 Level Estimation

The Table 6 shows the attack and decay times for the peak level estimation. And, the time constant  $T_s$  is the the sampling time given by  $1/(\text{Sampling Frequency})$ .

Bits	DRC_PK_COEF1_ADC	DRC_PK_COEF2_ADC
0000	$T_s$	$63 * T_s$
0001	$3 * T_s$	$127 * T_s$
0010	$7 * T_s$	$255 * T_s$
0011	$15 * T_s$	$511 * T_s$
0100	$31 * T_s$	$1023 * T_s$
0101	$63 * T_s$	$2047 * T_s$
0110	$127 * T_s$	$4095 * T_s$
0111	$255 * T_s$	$8191 * T_s$

Table 6: DAC Level Estimation Attack and Decay Time Register Settings

### 5.5.2 Static Curve

The DRC static curve supports five programmable sections, and slope and knee points can be configured as shown in the Table 7.

Static Curve Section	Slope	Knee Point
LMT	0, 1/2, 1/4, 1/8, 1/16, 1/32, 1/64, 1	
CMP1	0, 1/2, 1/4, 1/8, 1/16, 1	0 to -31dB with -1dB step
CMP2	0, 1/2, 1/4, 1/8, 1/16, 1	0 to -63dB with -1dB step
EXP	1, 2, 4, 8	-18 to -81dB with -1dB step
NG	1, 2, 4, 8	-35 to -98dB with -1dB step

Table 7: DAC DRC Static Curve Control Registers

The Table 8 shows the attack and decay time for DRC. And, it needs to be carefully used combination with cross talk function because DRC is the last blocks in the path after mixer. Small cross-talk signal might be filtered out by DRC. The smooth knee function can be also enabled by register setting.

BITS	DRC_ATK_DAC	DRC_DCY_DAC
0000	Ts	63*Ts
0001	3*Ts	127*Ts
0010	7*Ts	255*Ts
0011	15*Ts	511*Ts
0100	31*Ts	1023*Ts
0101	63*Ts	2047*Ts
0110	127*Ts	4095*Ts
0111	255*Ts	8191*Ts
1000	511*Ts	16383*Ts
1001	1023*Ts	32757*Ts
1010	2047*Ts	65535*Ts
1011	4095*Ts	
1100	8191*Ts	

Table 8: DAC Static Curve Attack and Delay Time Register Settings

#### Application Notes:

- Smooth Knee function can be enabled by **DRC\_SMTH\_ENA\_DAC, REG 0x3A[7]**.
- The attack time can be set using **DRC\_ATK\_DAC, REG 0x3D[7:4]**.
- The decay time can be set using **DRC\_DCY\_DAC, REG 0x3D[3:0]**.
- DRC needs to be carefully used combination with cross talk function because DRC is the last blocks in the path after mixer. Small cross-talk signal might be filtered out by DRC.

### 5.6 DAC Path with Sidetone

The ADC input channel and I2S channel are capable of being mixed into the output of the DAC. The figure below shows a block diagram of how this works along with the related registers

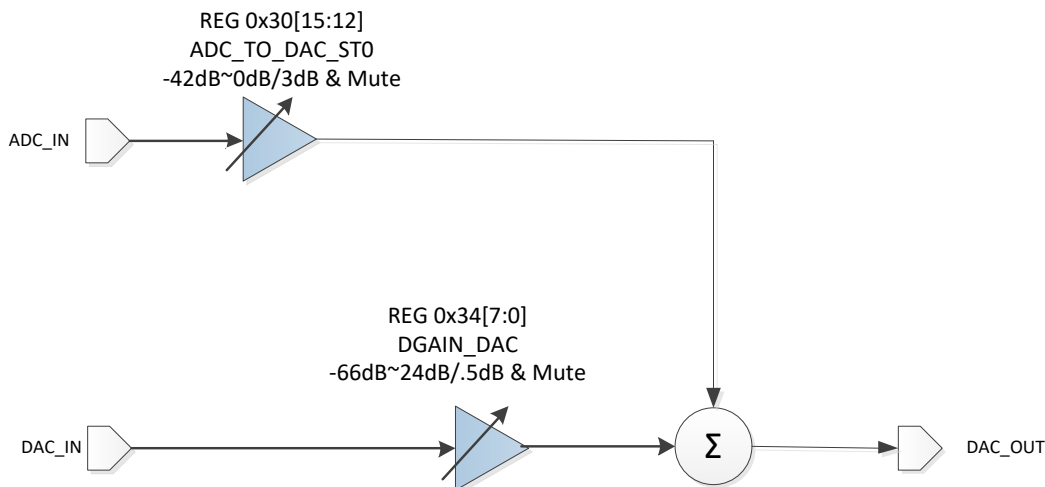


Figure 5 DAC Path Digital Mixer with Sidetone

DAC channel sidetone calculation:

$$\text{DAC Mixer} = \text{DAC Data} * \text{DGAIN\_DAC} + \text{ADC Data} * \text{ADC\_TO\_DAC\_ST0}$$

### 5.7 Speaker Output

The NAU88L11 features a differential speaker output (SPKOUT+ and SPKOUT-). The speaker amplifier is designed to drive a load differentially; a configuration referred to as Bridge-Tied Load (BTL). The gain of the speaker driver can be controlled in steps of 0.4dB from 0 to 5.6dB using **SPK\_GAIN\_CNTRL**, REG 0x52[3:0].

The differential speaker outputs can drive a single 8Ω speaker or two headphone loads of 16Ω or 32Ω or a line output. Driving the load differentially doubles the output voltage. The output of the speaker can be manipulated by changing attenuation and the volume (loudness of the output signal).

The output stage is powered by the speaker supply, VDDSPK, which are capable of driving up to 2.0V<sub>RMS</sub> signals (equivalent to 4V<sub>RMS</sub> into a BTL speaker). The speaker outputs can be controlled and can be muted individually. The output pins are at reference DC level when the output is muted.

### 5.8 Lineout Configuration

The Class AB amplifier includes a control circuit used in Lineout mode to precharge the amplifier output to the common mode voltage VCM (default 1.65V @ 3.3V). The precharge control smoothly charges the amplifier output towards VCM with negligible pop noise. Below is the code sequence to enable the precharge control and charge the output to VCM level with minimum pop noise.

Step	REG	Value	Comments
1	0076	2000	[13] = 1 to keep slow rising VREF
2	002C	0072	[7:4] = 0x7 to turn on CIC and set CIC_GAIN_ADJ = x7, OSR128
	DELAY		//600ms by I <sup>2</sup> C dummy write
3	0073	1108	[12] = 1 to enable DAC, [8] = 1 to enable DAC clock, [3:2] = 2'b10 to select DAC VREF = 1.61V
4	0066	0062	[6] = 1 to enable VMID, [5:4]= 1,0 VMID tie-off selection options
5	0076	3000	[13] = 1 to keep slow rising VREF; [12] = 1 for global bias enable
6	0051	0220	[9:6] VCM = 1.65V, [5] = 1 to enable VCM buffer, [4] = 0 to enable precharge, [3:2] = 2'b00 R-bias
7	DELAY		//600ms by I <sup>2</sup> C dummy write
8	0001	3FC2	enable DAC, ADC in digital domain
9	0008	8000	[15] = 1 to power up the VREF buffer
10	0052	00A0	[5] = 1 to power up the main speaker driver, [3:0] = 0 for gain
11	0051	220	[4] = 1 to disable precharge

Table 9 Lineout configuration for minimizing pop/click noise

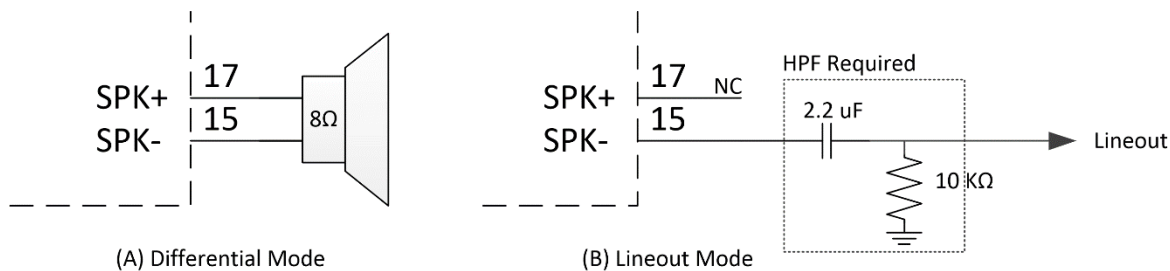


Figure 8: Load diagram

With the above sequence, the rise time is a function of C<sub>ext</sub> and can be approximated by the equation  $t_{rise} = 1 + 27 \cdot 10^4 \cdot C_{ext}$  (example: for C<sub>ext</sub>=2.2μF, R<sub>L</sub>=10k, the rise time is ~ 1.6 secs).

### 5.9 Speaker Driver Short Circuit Protection

The short circuit protection is enabled by default with **DISABLE\_SHRT\_DET**, REG 0x76[6] set to 0.

When a ground short is detected, the chip starts limiting the short circuit current locally in the output driver. If FS clock is running and there is a short present, the **APR\_EMERGENCY\_SHUTDOWN** will be generated and the output driver will be in shut-down mode. If FS is not running, then the output driver will stay in the limiting mode when there is a short. A short to VDD will also activate the limiting-mode protection and may trigger an interrupt flag. INT will only be generated if MCLK is running.

When a short is detected, a short\_detect signal is generated and sent to the APR digital block. After T1(2.FS) cycles, the apr\_em\_shutdown is generated and turns off the output driver. Then a counter is started and the driver is kept in the power-down mode for T2(2048.FS) cycles. The counter time is a function of FS clock frequency which is from 8KHz (min) to 96kHz (max). At the end of time T2, if a short is still present, the operation will restart the timer and the cycle is repeated. The user can read the **APR\_EMRG\_SHTDWN**, REG 0x10[9], short detect interrupt flag status bit. After reading, the interrupt flag the status can be cleared by writing to register **INT\_CLR\_KEY\_STATUS[9]**.

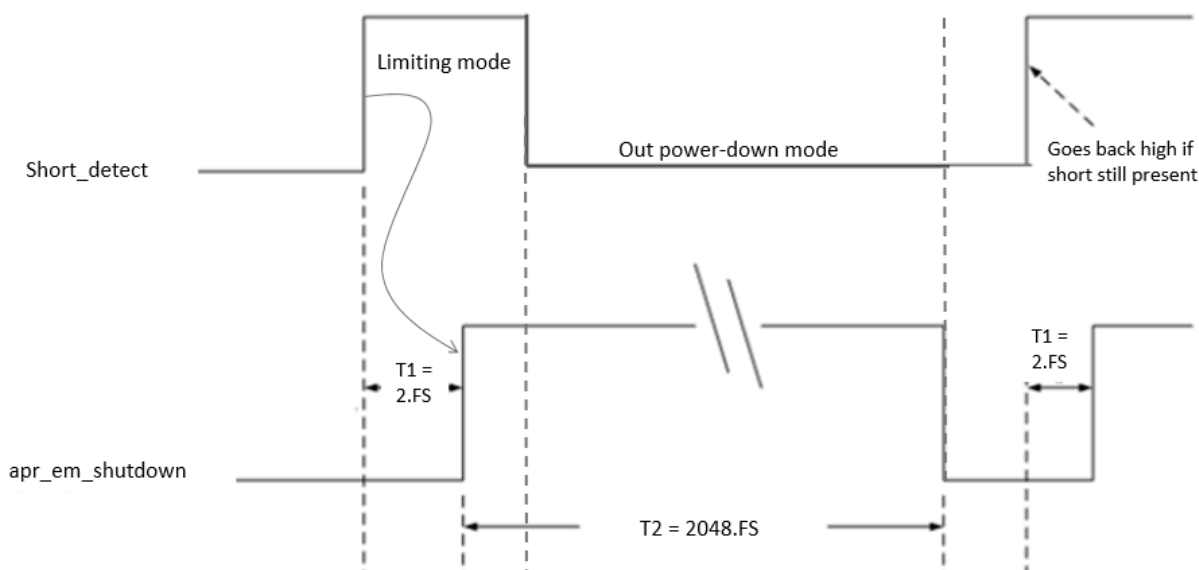


Figure 6 Speaker driver short-circuit protection timing



### 5.10 Companding

Companding is used in digital communication systems to optimize signal-to-noise ratios with reduced data bit rates using non-linear algorithms. The NAU88L11 supports the two main telecommunications companding standards on both transmit and receive sides: A-law and  $\mu$ -law. The A-law algorithm is primarily used in European communication systems and the  $\mu$ -law algorithm is primarily used by North America, Japan, and Australia.

Companding converts 14 bits ( $\mu$ -law) or 13 bits (A-law) to 8 bits using non-linear quantization resulting in 1 sign bit, 3 exponent bits and 4 mantissa bits. When the companding mode is enabled, 8 bit word operation must be enabled.

Below two subsections contain the compression equations set by the ITU-T G.711 standard and implemented in the NAU88L11.

Both NAU88L11 ADC, DAC path supports companding format control.

- ADC: **I2S\_PCM\_CTRL1.ADCCM0**
- DAC: **I2S\_PCM\_CTRL1.DACCM0**

#### 5.10.1 $\mu$ -law

$$F(x) = \frac{\ln(1 + \mu \times |x|)}{\ln(1 + \mu)}, \quad -1 < x < 1$$

$$\mu = 255$$

#### 5.10.2 A-law

$$F(x) = \frac{A \times |x|}{(1 + \ln(A))}, \quad 0 < x < \frac{1}{A}$$

$$F(x) = \frac{(1 + \ln(A \times |x|))}{(1 + \ln(A))}, \quad \frac{1}{A} \leq x \leq 1$$

$$A = 87.6$$

## 6. Power Up and Start Sequence

The power up sequence to bring up the analog blocks smoothly is illustrated below and involves three different time segments (T1 – T3). The power supply ramp rate depends on a number of factors such as the power source drive strength, board parasitics and the decoupling capacitor size on the supply line. Typically, a power supply ramp time can be as fast as 5mS or as slow as 200mS.

During time T1, the power supply ramps-up. The internal PORB reset is generated when  $V_{DDA}$  is lower than 1.1V for reliable maintenance of internal logic circuits. While PORB signal is low, it clears internal digital flops. Most of the flops will be cleared to '0' while some flops can be set to '1' during the PORB pulse depending on the required default state of the register.

After time T1, wait another time 1mS so that the power supply is stable before writing to the registers. During time T2, the chip is in stand-by mode and all registers are in a default state. In stand-by, the chip only consumes leakage current and all analog blocks are turned-off. At time T3, the user can start to write data into the registers via the I2C serial bus to setup the chip for their application.

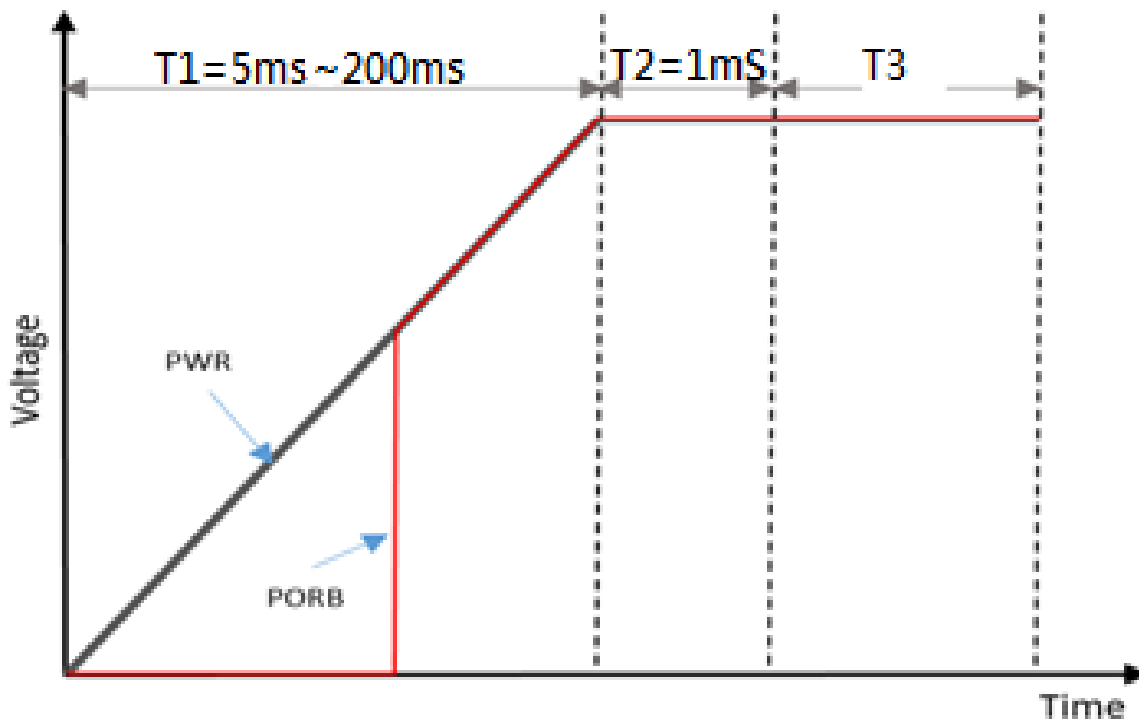


Figure 7 Power Up Sequence

### 6.1 Basic Register Sequence

The following register sequence in the table below is a general guide to help setup the NAU88L11. This can be done after time T3 shown in Figure above following the power up sequence.

Below sequence is based on MCLK = 12.288MHz, FS=48KHz, with MIC enabled to ADC, Sidetone to DAC/SPK, and I2S to DAC/SPK features enabled.

Function	Register Name	REG	Value	Config Comment	Default Setting
<b>Power Up</b>					
Power Setting	<b>SOFTWARE_RST</b>	0x00	0x0000	Software Reset	0x0000
MCU		delay 10ms			
ADC Path	<b>MUTE_CTRL</b>	0x31	0x0200	<b>SMUTE_EN</b> =1 (ADC soft-mute)	0x0000
DAC Path	<b>DAC_CTRL1</b>	0x2C	0x0072	<b>CIC_GAIN_ADJ</b> = 3b'111 (fine tuning DAC output glitch)	0x0082
<b>ADC/DAC Path</b>					
DAC Path	<b>VCM_BUF</b>	0x51	0x0230	<b>PDB_VCMBUF</b> = 1 (VCM buffer Power Up) <b>VOUT_PRECHG_DISABLE</b> = 1 (Output VCM precharge disable)	0x0210
DAC Path	<b>SPK_DRV</b>	0x52	0x00AB	<b>PUP_MAIN_DRV</b> = 1 (main speaker driver Power Up) <b>SPK_GAIN_CNTRL</b> = 4b'1011 (SPK 4-bit gain = 4.4dB)	0x0080
ADC Path	<b>BIAS_ADJ</b>	0x66	0x0060	<b>VMIDEN</b> =1 (VMID enable) <b>VMIDSEL</b> =2b'10 (VMID 125k ohm)	0x0000
DAC Path	<b>SPARE_ANALOG1</b>	0x69	0x0020	<b>THD_BOOST</b> = 1 (thd_boost path enable)	0x0000
ADC Path	<b>ANALOG_ADC_2</b>	0x72	0x0140	<b>PDNOT</b> = 1 (ADC Power Up)	0x0100
DAC Path	<b>DAC</b>	0x73	0x1108	<b>DAC_EN</b> = 1 (DAC enable) <b>CLK_DAC_EN</b> = 1 (DAC clock enable)	0x0008
ADC Path	<b>MIC_BIAS</b>	0x74	0x0104	<b>POWERUP</b> = 1 (MICBIAS Power Up)	0x0004
Power Setting	<b>BOOST</b>	0x76	0x3040	<b>STG2_SEL</b> = 1 (PGA in class A mode) <b>PDVMDfst</b> = 1 (VMID Pre-charge disable) <b>BIASEN</b> = 1 (Global Analog Bias enable)	0x0040
ADC Path	<b>PGA_GAIN</b>	0x7E	0x0B00	<b>PGA_GAIN</b> = 6b'001011 (PGA gain 10dB)	0x0000
ADC Path	<b>POWER_UP_CONTROL</b>	0x7F	0x8000	<b>PUPL</b> = 1 (PGA Power Up)	0x0000

Function	Register Name	REG	Value	Config Comment	Default Setting
<b>Audio System Control System</b>					
Power Setting	<b>ENA_CTRL</b>	0x01	0x3FC6	<b>DACEN</b> = 1 (DAC enable) <b>ADCEN</b> = 1 (ADC enable) <b>DCLK_ADC_EN</b> = 1 (ADC clock enable) <b>DCLK_DAC_EN</b> = 1 (DAC clock enable) <b>CLK_BIST_EN</b> = 1 (BIST clock Enable) <b>CLK_I2S_EN</b> = 1 (I2S clock enable) <b>CLK_DRC_EN</b> = 1 (DRC clock enable) <b>MCLK_RNG_SEL</b> = 3b'000 (15.74MHz or lower frequency) <b>SYSClk_SEL</b> = 0 (SYSClk = 1*MCLK)	0x03FE
Clock Setting	<b>CLK_DIVIDER</b>	0X03	0x0050	<b>CLK_ADC_SRC</b> = 2b'01 (Scaling for ADC clock from MCLK_INT – div by 1) <b>CLK_DAC_SRC</b> = 2b'01 (Scaling for DAC clock from MCLK_INT – div by 1) <b>MCLK_DIV</b> = 3b'000 (Scaling for MCLK_INT from SYSClk_SRC – div by 1)	0x0050
ADC Path	<b>ADC_DGAIN_CTRL</b>	0x30	0xF000	<b>ADC_TO_DAC_ST0</b> = 4b'1111 (ADC to DAC Sidetone = 0dB)	0x0000
ADC Path	<b>MUTE_CTRL</b>	0x31	0x0000	<b>SMUTE_EN</b> =0 (ADC soft-unmute)	0x0000

Table 10 Reference Setup Sequence

## 6.2 Clock Detection

The NAU88L11 includes a Clock Detection circuit that can be used to enable and disable the audio path, based on an initialized audio path setting. If MCLK is detected on the input, a status flag in **MCLK\_DET\_INT**, REG 0x10[5] will be set, when MCLKDETECT signal going active, as described by the block diagram below.

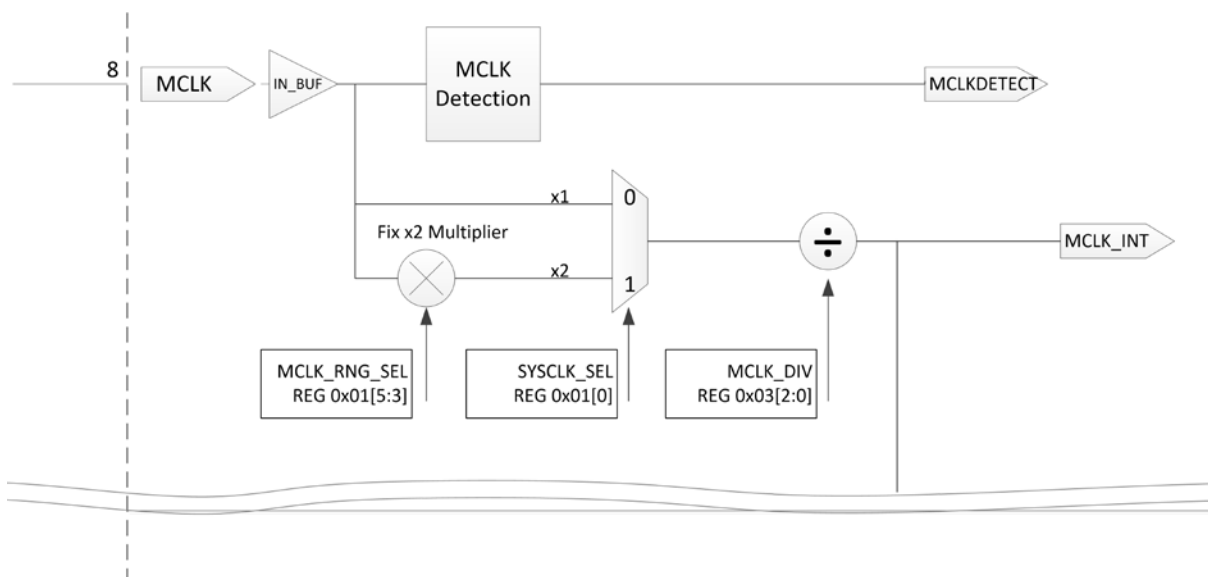


Figure 8 NAU88L11 Clock Detection

For MCLK/FS input pin in slave mode, the range of input frequency are defined here.

Input Signal	Pin Name	Min	Max	Unit
Frame Synch	FS	8	96	kHz
Master Clock	MCLK	2.048	24.576	MHz

Table 11 Range of MCLK/FS for Slave Mode

System design should be checked that MCLK/FS adhere to the frequency range, then follow the later section to pick out the correct setting, and supported combinations.

From MCLK input pin, the MCLK signal can be routed for two path, controlled by **SYCLK\_SEL**, REG 0x01[0]. Aside from the direct path (x1), the multiplier path applies a fix multiplier to double the MCLK frequency. In order to adjust for 50% duty cycle, **MCLK\_RNG\_SEL**, REG 0x01[5:3] is a required frequency range setting while the multiplier path is selected. The MCLK input frequency range is divided into three band, from 2.048MHz~ 15.74MHz, 15.74MHz ~ 21.6MHz, 21.6MHz to 24.576MH by setting **MCLK\_RNG\_SEL**.

### 6.3 MCLK / FS Clock Setting in Slave Mode

For slave mode, the NAU88L11 can accept external clocks from MCLK/FS input pin. Based on the MCLK and FS input with internal logic to derive MCLK\_INT, and CLK\_DAC, CLK\_ADC for related internal ADC/DAC, DSP, Digital Audio Interface and other internal subsystems.

The figure below provides the full clock distribution diagram, and the key registers are listed here:

- MCLK\_DIV, REG 0x03[2:0]
- CLK\_CODEC\_SRC, REG 0x03[13]
- CLK\_ADC\_SRC, REG 0x03[7:6]
- CLK\_DAC\_SRC, REG 0x03[5:4]

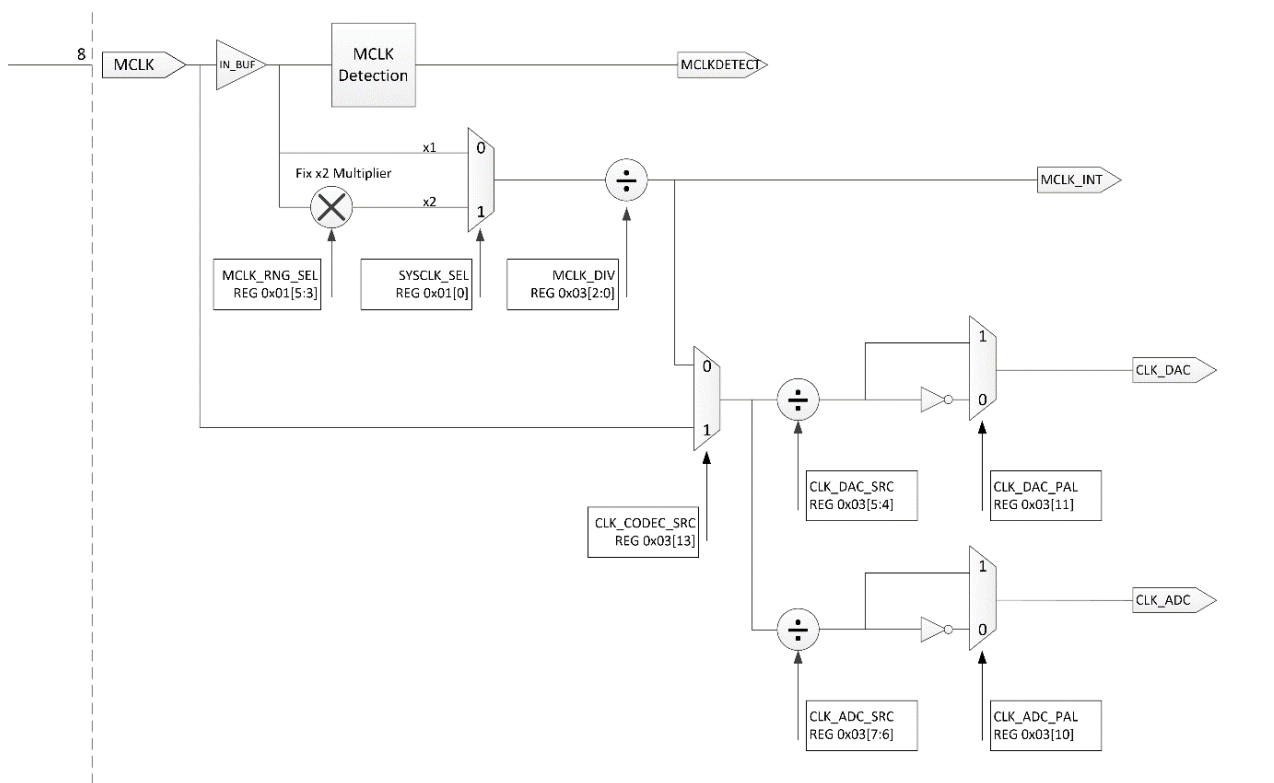


Figure 9 NAU88L11 MCLK and Clock Distribution

The NAU88L11 Clock distribution and subsystem is designed to minimize design effort with simplified settings. The relationship of MCLK/FS input frequency combinations will be described in detail below.

The MCLK/FS input frequency range is described in the previous section where MCLK input frequency should be between 2.048MHz ~ 24.567MHz. And, FS should be between 8KHz ~ 96KHz.

The internal clock distribution of NAU88L11 is designed to support 3 MCLK\_INT/FS ratios, which are 256, 400, 500. Please note MCLK\_INT refers to the internal MCLK frequency after the MCLK Divider. This means the MCLK/FS input frequency combination should consider the Multiplier/direct path selected by SYCLK\_SEL, and also the MCLK\_DIV divider.

Below table are the key criterion for MCLK/FS input frequencies supported organized by the MCLK\_INT/FS Ratio into 3 group.

Group1: MCLK_INT/FS Ratio of 256	
<b>SYSCLK_SEL</b> set x1 path	
Target FS	8/16/24 ..44.1/96KHz
MCLK	Target FS * <b>MCLK_DIV</b> *256
Register Related	<b>MCLK_DIV, SYSCLK_SEL</b>
<b>SYSCLK_SEL</b> set x2 path	
Target FS	8/16/24 ..44.1/96KHz
MCLK	Target FS * <b>MCLK_DIV</b> *256/2
Register Related	<b>MCLK_DIV, MCLKSEL, SYSCLK_SEL</b>
Group2: MCLK_INT/FS Ratio of 400	
<b>SYSCLK_SEL</b> set x1 path	
Target FS	8/16/24 ..44.1/96KHz
MCLK	Target FS * <b>MCLK_DIV</b> *400
Register Related	<b>MCLK_DIV, SYSCLK_SEL</b> <b>CLK_ADC_SRC, CLK_DAC_SRC</b> must set as 1/4
<b>SYSCLK_SEL</b> set x2 path	
Target FS	8/16/24 ..44.1/96KHz
MCLK	Target FS * <b>MCLK_DIV</b> *400/2
Register Related	<b>MCLK_DIV, MCLKSEL, SYSCLK_SEL</b> <b>CLK_ADC_SRC, CLK_DAC_SRC</b> must set as 1/4
Group 3: MCLK_INT/FS Ratio of 500	
<b>SYSCLK_SEL</b> x1/x2	
Notes	<ul style="list-style-type: none"> <li>• Support list is provided in appendix</li> <li>• No need to set <b>CLK_DAC_SRC, CLK_DAC_SRC</b> is fixed</li> </ul>
Register Related	<b>MCLK_DIV, MCLKSEL, SYSCLK_SEL</b>

Table 12 Criterion for supported MCLK/FS for slave mode

Following above table, one more limit is added, which is from generating CLK\_ADC, CLK\_DAC, which should be less than or equal to 6.144MHz.

- $CLK\_DAC = MCLK\_INT * CLK\_DAC\_SRC$
- $CLK\_ADC = MCLK\_INT * CLK\_ADC\_SRC$

Following the above 3 group of criterion to pick out the correct MCLK/FS combinations is essential for system design. A full list of supported MCLK/FS combinations and related settings can be found in the apptediex section for Group 1~3.

### 6.4 ADC/DAC Oversampling Rate

ADC/DAC Oversample rate setting is used in the NAU88L11 ADC/DAC blocks beyond the CLK\_DAC, CLK\_ADC signal described in previous clock distribution figure.

The the conditions to set **OSR\_ADC\_RATE**, **OSR\_DAC\_RATE** for MCLK\_INT/FS ratio of 256 is listed below.

- CLK\_ADC = **OSR\_ADC\_RATE** \* FS (<=6.144MHz)
- CLK\_DAC = **OSR\_DAC\_RATE** \* FS (<=6.144MHz)

For MCLK\_INT/FS ratios of 400/500, oversample rate is fixed as 100, therefore no need to set **OSR\_ADC\_RATE/OSR\_DAC\_RATE**

#### Example 1:

MCLK=24.576MHz, FS=96KHz

- The Ratio here is picked as 24.576MHz = 256 \* 96KHz
  - **SYSCLK\_SEL** can be set either x1 or x2 path
  - For x1 path, **MCLK\_DIV** is set as divid by 1, MCLK\_INT=24.576MHz
  - For x2 path, **MCLK\_DIV** is set as divid by 2, MCLK\_INT=24.575MHz
- Based on CLK\_ADC = MCLK\_INT \* **CLK\_ADC\_SRC** (<=6.144MHz)
  - Avialble **OSR\_ADC\_RATE** option for each **CLK\_ADC\_SRC** are listed below in Green for each CLK\_ADC
  - For CLK\_ADC as 6.144MHz, the ORS\_ADC\_RATE should be set as 64, so the clock would match as below table in green
  - For CLK\_ADC as 3.072 MHz, the ORS\_ADC\_RATE should be set as 32, so the clock would match as below table in green

		CLK_ADC=MCLK_INT*CLK_ADC_SRC (<=6.144MHz)			
		24.576	12.288	6.144	3.072
FS*OSR (<=6.144MHz)	32	-	-	3.072	3.072
	64	-	-	6.144	6.144
	128	-	-	12.288	12.288
	256	-	-	24.576	24.576

#### Example 2:

MCLK=19.2MHz, FS=32KHz

- The Ratio here is picked as MCLK\_INT 12.8MHz = 400 \* 32KHz
  - **SYSCLK\_SEL** is set as x2 path
  - For x2 path, **MCLK\_DIV** is set as divid by 3, MCLK\_INT=12.8MHz
- With MCLK\_INT/FS Ratio of 400.
  - **CLK\_ADC\_SRC/CLK\_DAC\_SRC** must be set as divid by 4.
  - No need to set **OSR\_ADC\_RATE/OSR\_DAC\_RATE**



## 7. Control Interfaces

The NAU88L11 includes a serial control bus that provides access to all the device control registers, it may be configured as a 2-wire interface that conforms to industry standard implementations of the I<sup>2</sup>C serial bus protocol.

### 7.1 2-Wire-Serial Control Mode (I<sup>2</sup>C Style Interface)

The 2-wire bus is a bidirectional serial bus protocol. This protocol defines any device that sends data onto the bus as a transmitter (or master), and any device receiving data as the receiver (or slave). The NAU88L11 can function only as a slave when in the 2-wire interface configuration.

### 7.2 2-Wire Protocol Convention

All 2-Wire interface operations must begin with a START condition, which is a HIGH-to-LOW transition of SDIO while SCLK is HIGH. All 2-Wire interface operations are terminated by a STOP condition, which is a LOW to HIGH transition of SDIO while SCLK is HIGH. A STOP condition at the end of a read or write operation places the device in a standby mode.

An acknowledge (ACK), is a software convention used to indicate a successful data transfer. To allow for the ACK response, the transmitting device releases the SDIO bus after transmitting eight bits. During the ninth clock cycle, the receiver pulls the SDIO line LOW to acknowledge the reception of the eight bits of data.

Following a START condition, the master must output a device address byte. This consists of a 7-bit device address, and the LSB of the device address byte is the R/W (Read/Write) control bit. When R/W=1, this indicates the master is initiating a read operation from the slave device, and when R/W=0, the master is initiating a write operation to the slave device. If the device address matches the address of the slave device, the slave will output an ACK during the period when the master allows for the ACK signal.

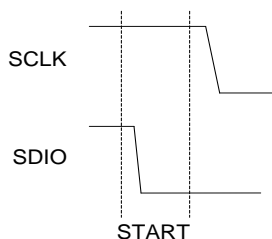


Figure 10 Valid START Condition

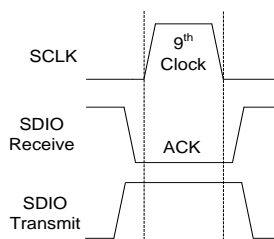


Figure 11 Valid Acknowledge

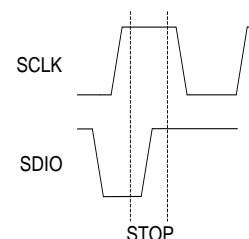


Figure 12 Valid STOP Condition

Please Note:

- Sometimes, I<sup>2</sup>C needs to use level shifter between different supplies domains. During Acknowledge as below figure, receiver side (CODEC) will pull low, and transmit side (MCU) is disable and pull high by pull high resistor. Because NAU88L11 SDIO can sink 2mA by default setting (maximum up to 8mA,) shown as below **Error! Reference source not found.**, R<sub>PU1</sub> and R<sub>PU2</sub> need to be select

such that total current  $V_{DDB}/R_{PU1} + V_{DD\_MCU}/R_{PU2}$  during Acknowledge should not be too large to exceed SDIO sinking capability.

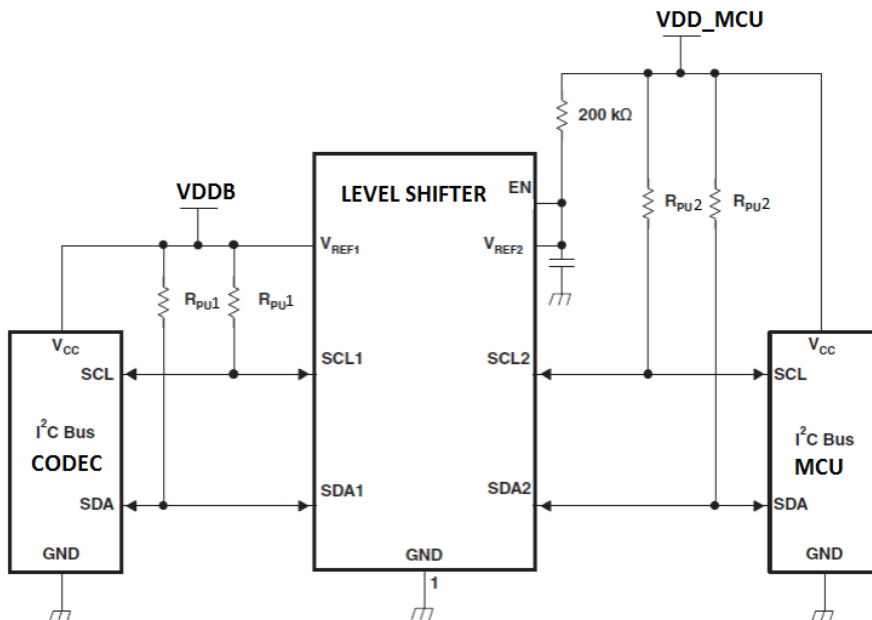


Figure 13 Typical I2C level shifter circuit

### 7.3 2-Wire Write Operation

A Write operation consists of a three-byte instruction followed by one or more Data Bytes. A Write operation requires a START condition, followed by a valid device address byte with R/W=0, a valid control address byte, data byte(s), and a STOP condition. The Device Address of the NAU88L11 is fixed to 0x1B. If the Device Address matches this value, the NAU88L11 will respond with the expected ACK signaling as it accepts the data being transmitted to it.

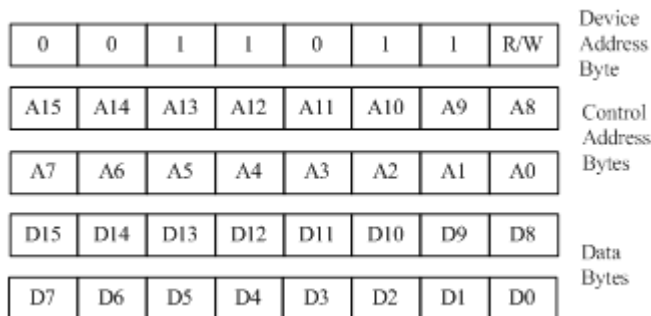


Figure 14 Slave Address Byte, Control Address Byte, and Data Byte

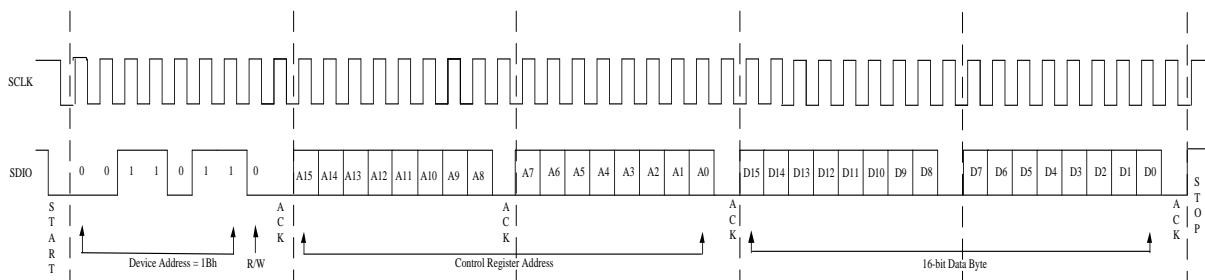


Figure 15 2-Wire Write Sequence

### 7.4 2-Wire Read Operation

A Read operation consists of a three-byte Write instruction followed by a Read instruction of one or more data bytes. The bus master initiates the operation issuing the following sequence: a START condition, device address byte with the R/W bit set to “0”, and a Control Register Address byte. This indicates to the slave device which of its control registers is to be accessed.

If the device address matches this value, the NAU88L11 will respond with the expected ACK signaling as it accepts the Control Register Address being transmitted into it. After this, the master transmits a second START condition, and a second instantiation of the same device address, but now with R/W=1.

After again recognizing its device address, the NAU88L11 transmits an ACK, followed by a two byte value containing the 16 bits of data from the selected control register inside the NAU88L11.

During this phase, the master generates the ACK signaling with each byte transferred from the NAU88L11. If there is no STOP signal from the master, the NAU88L11 will internally auto-increment the target Control Register Address and then output the two data bytes for this next register in the sequence.

This process will continue as long as the master continues to issue ACK signaling. If the Control Register Address being indexed inside the NAU88L11 reaches the value 0xFFFF (hexadecimal) and the value for this register is output, the index will roll over to 0x0000. The data bytes will continue to be output until the master terminates the read operation by issuing a STOP condition.

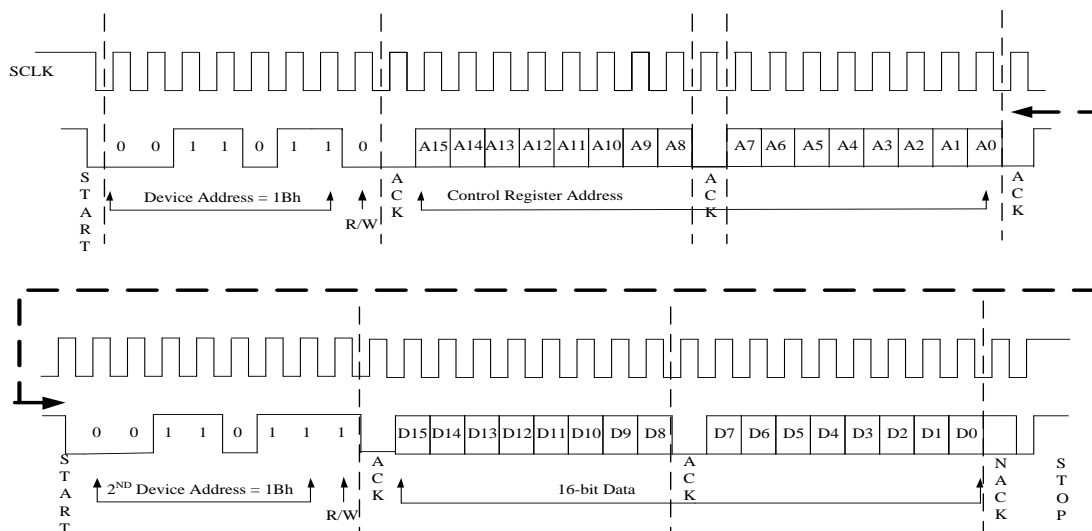


Figure 16 Two-wire Read Sequence

### 7.5 Digital Serial Interface Timing

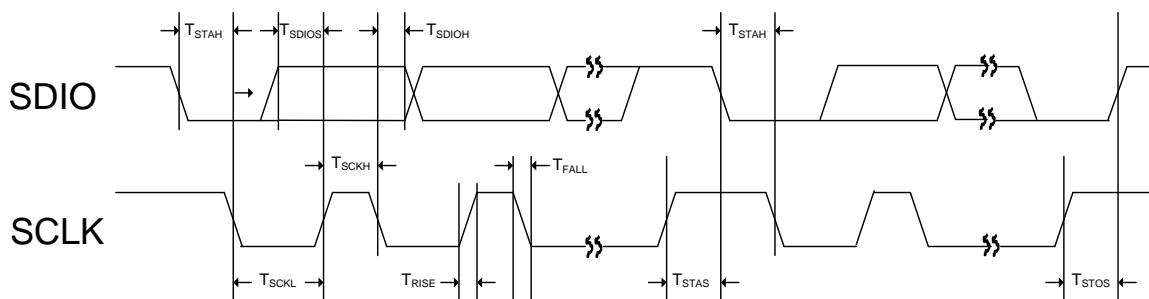


Figure 17 Two-wire Control Mode Timing

Symbol	Description	min	typ	max	unit
T <sub>STAH</sub>	SDIO falling edge to SCLK falling edge hold timing in START / Repeat START condition	600	-	-	ns
T <sub>STAS</sub>	SCLK rising edge to SDIO falling edge setup timing in Repeat START condition	600	-	-	ns
T <sub>STOS</sub>	SCLK rising edge to SDIO rising edge setup timing in STOP condition	600	-	-	ns
T <sub>SCKH</sub>	SCLK High Pulse Width	600	-	-	ns
T <sub>SCKL</sub>	SCLK Low Pulse Width	1,300	-	-	ns
T <sub>RISE</sub>	Rise Time for all 2-wire Mode Signals	-	-	300	ns
T <sub>FALL</sub>	Fall Time for all 2-wire Mode Signals	-	-	300	ns
T <sub>SDIOS</sub>	SDIO to SCLK Rising Edge DATA Setup Time	100	-	-	ns
T <sub>SDIOH</sub>	SCLK falling Edge to SDIO DATA Hold Time	0	-	600	ns

Table 13 2-Wire Serial Interface Timing

### 7.6 Software Reset

The NAU88L11 and all of its control registers can be reset to “default”, initial conditions by writing any value to REG 0x00 using the two-wire interface mode.

### 7.7 I<sup>2</sup>C Addresses

The NAU88L11 has 7 bits assigned to the device for I<sup>2</sup>C address, the eighth bit of the command byte is a R/W bit. The 7 I<sup>2</sup>C address bits are hard coded by metal layer internal to the device. The default set for read and write is shown below:

	Bit<6>	Bit<5>	Bit<4>	Bit<3>	Bit<2>	Bit<1>	Bit<0>	R/W
Read Address	0	0	1	1	0	1	1	1
Write Address	0	0	1	1	0	1	1	0

Table 14 I<sup>2</sup>C Adress Table

## 8. Digital Audio Interfaces

The NAU88L11 can be configured as either the master or the slave, by setting register **MS0**, in REG 0x1D[3], to 1 for master mode and to 0 for slave mode. Slave mode is the default if this bit is not written. In master mode, NAU88L11 outputs both Frame Sync (FS) and the audio data bit clock (BCLK) and has full control of the data transfer. In the slave mode, an external controller supplies BCLK and FS. Data is latched on the rising edge of BCLK; SDO clocks out ADC data, while SDI clocks in data for the DACs.

When not transmitting data, SDO pulls LOW in the default state. Depending on the application, the output can be configured to pull up or pull down. When the time slot function is enabled (see below), there are additional output state modes including controlled tristate capability. NAU88L11 supports five audio formats; left justified, I2S, PCMA, PCMB, and PCM Time Slot. Below table shows digital audio interface modes

PCM Mode	I2S_PCM_CTRL1.AIFMT0 REG 0x1C[1:0]	I2S_PCM_CTRL1.LRP0 REG 0x1C[6]	I2S_PCM_CTRL2.PCM_TS_EN0 REG 0x1D[10]
Left Justified	01	0	0
I <sup>2</sup> S	10	0	0
PCMA	11	0	0
PCMB	11	1	0
PCM Time Slot	11	Don't care	1

Table 15 Digital Audio Interface Support Modes

### 8.1 Right-Justified Audio Data

In right-justified mode, the LSB is clocked on the last BCLK rising edge before FS transitions. When FS is HIGH, channel\_0 data is transmitted and when FS is LOW, channel\_1 data is transmitted. This can be seen in the image below.

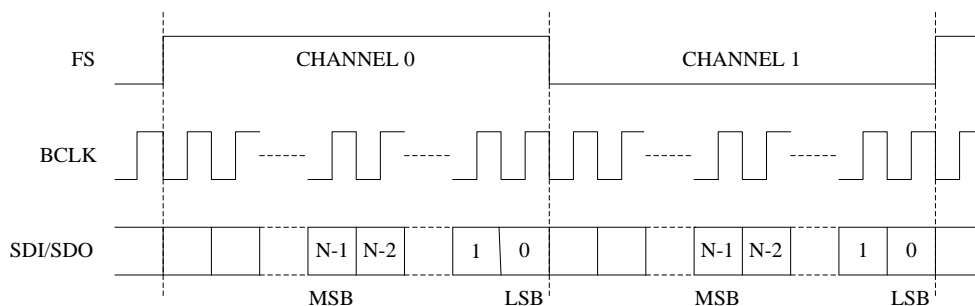


Figure 18 Right-Justified Audio Interface

### 8.2 Left-Justified Audio Data

In left-justified mode, the MSB is clocked on the first BCLK rising edge after FS transitions. When FS is HIGH, channel\_0 data is transmitted and when FS is LOW, channel\_1 data is transmitted. This can be seen in the figure below.

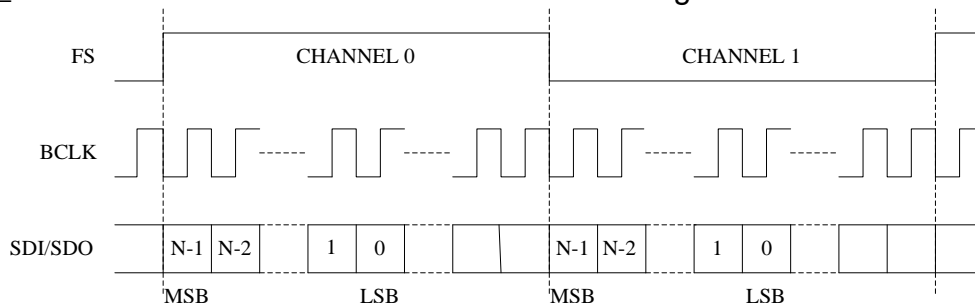


Figure 19 Left-Justified Audio Interface

### 8.3 I2S Audio Data

In I<sup>2</sup>S mode, the MSB is clocked on the second BCLK rising edge after FS transitions. When FS is LOW, left channel data is transmitted and when FS is HIGH, right channel data is transmitted. This can be seen in the figure below.

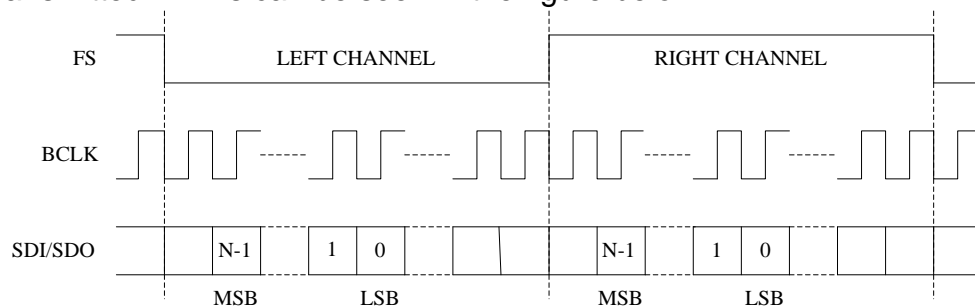


Figure 20 I2S Audio Interface

### 8.4 PCMA Audio Data

In the PCM A mode, channel 0 data is transmitted first followed immediately by channel 1 data. The channel 0 MSB is clocked on the second BCLK rising edge after the FS pulse rising edge, and channel 1 MSB is clocked on the next BCLK after the left channel LSB. This can be seen in the figure below.

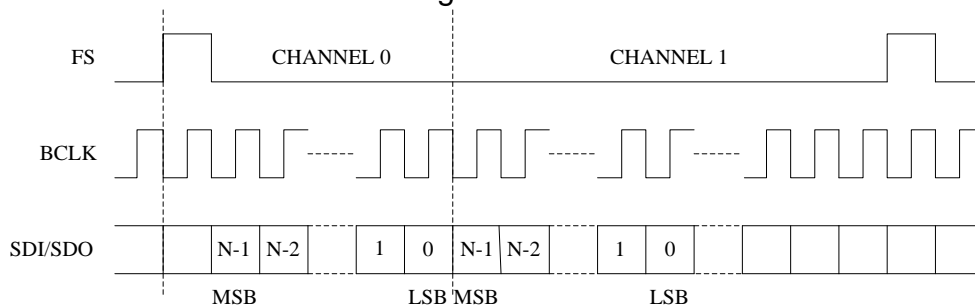


Figure 21 PCMA Audio Interface

### 8.5 PCMB Audio Data

In the PCMB mode, channel\_0 data is transmitted first followed immediately by channel\_1 data. Channel 0 MSB is clocked on the first BCLK rising edge after the FS pulse rising edge, and channel\_1 MSB is clocked on the next BCLK after channel\_0 LSB. This can be seen in the figure below.

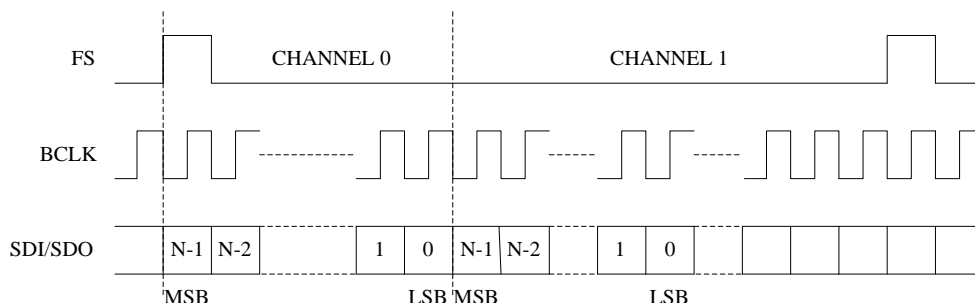


Figure 22 PCMB Audio Interface

### 8.6 PCM Time Slot Audio Data

The PCM time slot mode is used to allocate different time slots for ADC and DAC data. This can be useful when multiple NAU88L11 chips or other devices are sharing the same audio bus. This will allow each chip audio to be delayed around each other without interference.

Normally, the DAC and ADC data are clocked immediately after the Frame Sync (FS), however, in the PCM time slot mode; the audio data can be delayed by left / right channel PCM time slot start value in the registers.

These delays can be seen before the MSB in the figure below.

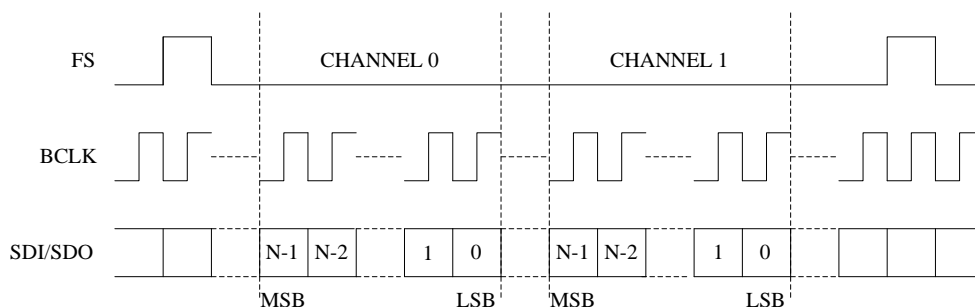


Figure 23 PCM Time Slot Audio Interface

The PMC time slot mode can be also used to swap channel 0 and channel 1 audio or cause both channels to use the same data. When using the NAU88L11 with other driver chips, the SDO pin can be set to pull up or pull down or high impedance during no transmission. Tri-stating on the negative edge allows the transmission of data by multiple sources in adjacent timeslots with reduced risk of bus driver contention.



### 8.7 TDM I2S Audio Data

In I<sup>2</sup>S mode, the MSB is clocked on the second BCLK rising edge after FS transitions. When FS is LOW, channel\_0 then channel\_2 data is transmitted and when FS is HIGH, channel\_1 then channel\_3 data is transmitted. This is shown in the figure below.

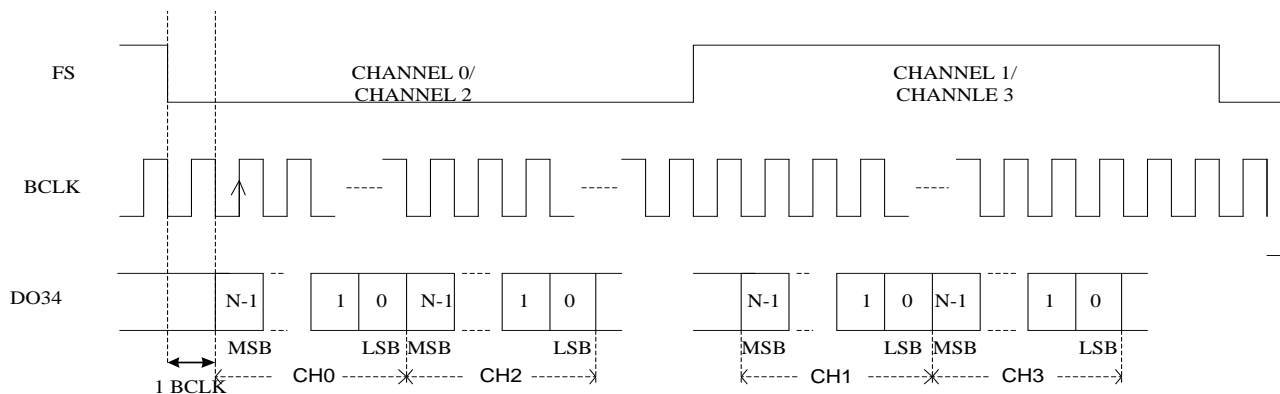


Figure 24 TDM I2S Audio Format

### 8.8 TDM PCMA Audio Data

In the PCMA mode, channel\_0 data is transmitted first followed sequentially by channel\_1, 2, and 3 immediately after. The channel\_0 MSB is clocked on the second BCLK rising edge after the FS pulse rising edge, and the subsequent channel's MSB is clocked on the next BCLK after the previous channel's LSB. This is shown in the figure below.

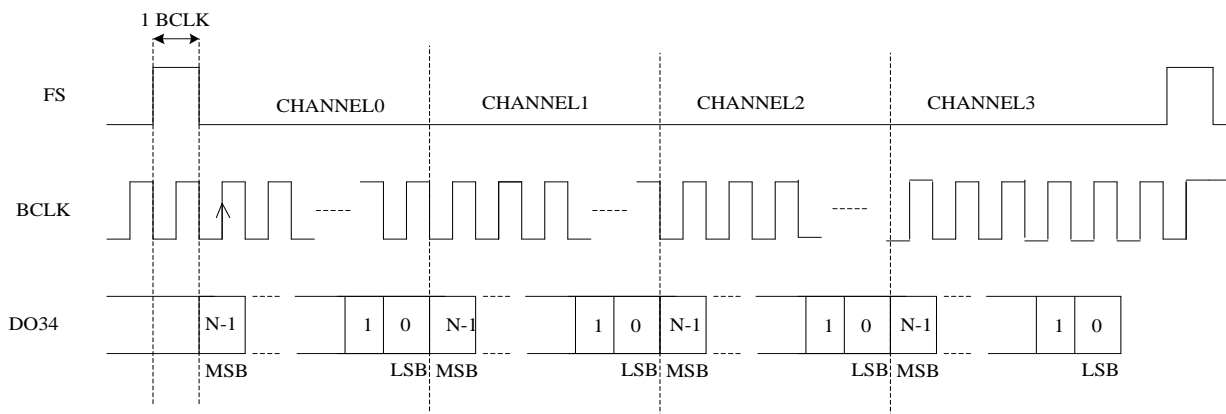


Figure 25 TDM PCMA Audio Format

### 8.9 TDM PCMB Audio Data

In TDM PCMB mode, channel\_0 data is transmitted first followed immediately by channel\_1 data. The channel\_0 MSB is clocked on the first BCLK rising edge after the FS pulse rising edge, and channel\_1 MSB is clocked on the next SCLK after channel\_0 LSB.

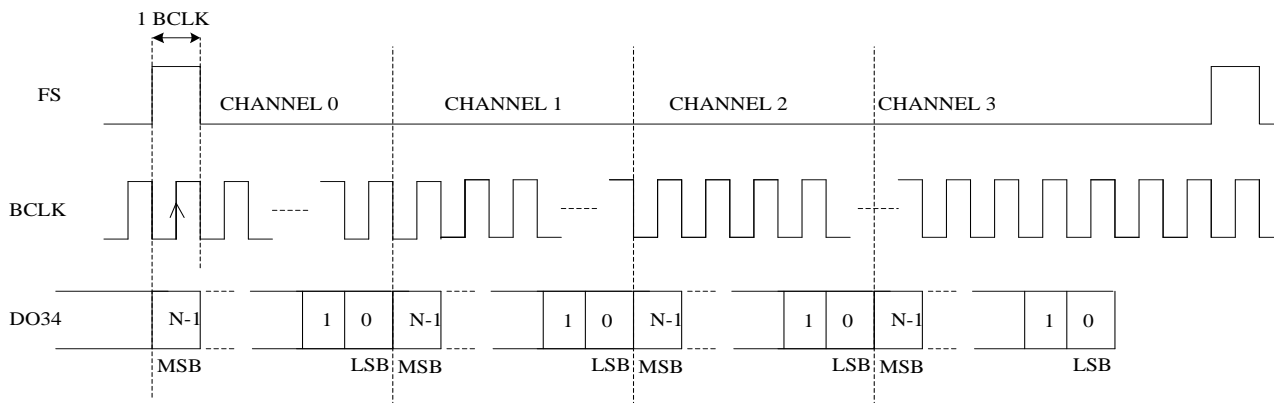


Figure 26 TDM PCMB Audio Format

### 8.10 TDM PCM Offset Audio Data

The PCM offset mode is used to delay the time at which DAC data is clocked. This increases the flexibility of the NAU88L11 to be used in a wide range of system designs. One key application of this feature is to enable multiple NAU88L11 or other devices to share the audio data bus, thus enabling more than four channels of audio. This feature may also be used to swap channel data, or to cause multiple channels to use the same data.

Normally, the DAC data are clocked immediately after the Frame Sync (FS). In this mode audio data is delayed by a delay count specified in the device control registers. The channel 0 MSB is clocked on the BCLK rising edge defined by the delay count set in .This can be seen in the figure below.

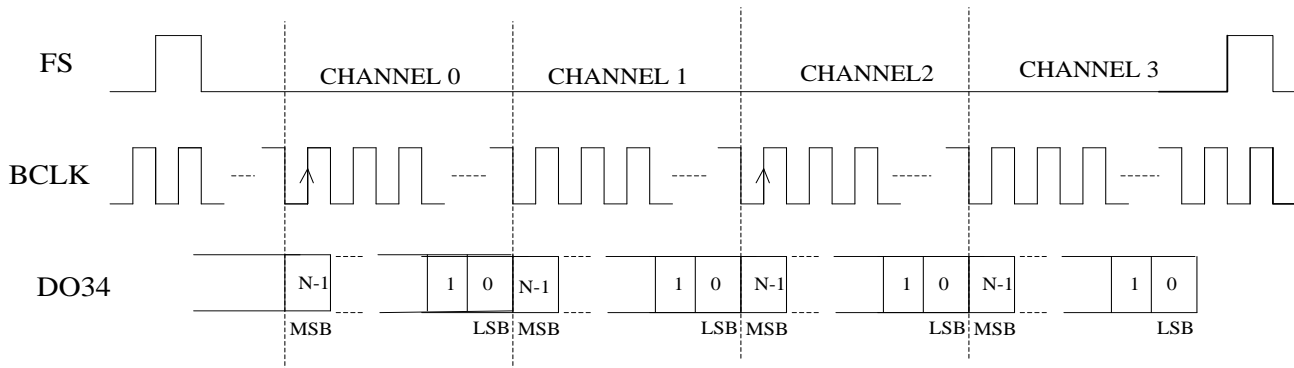


Figure 27 TDM PCM Offset Audio Format

## 8.11 Digital Audio Interface Timing Diagrams

### 8.11.1 Digital Audio Interface Slave Mode

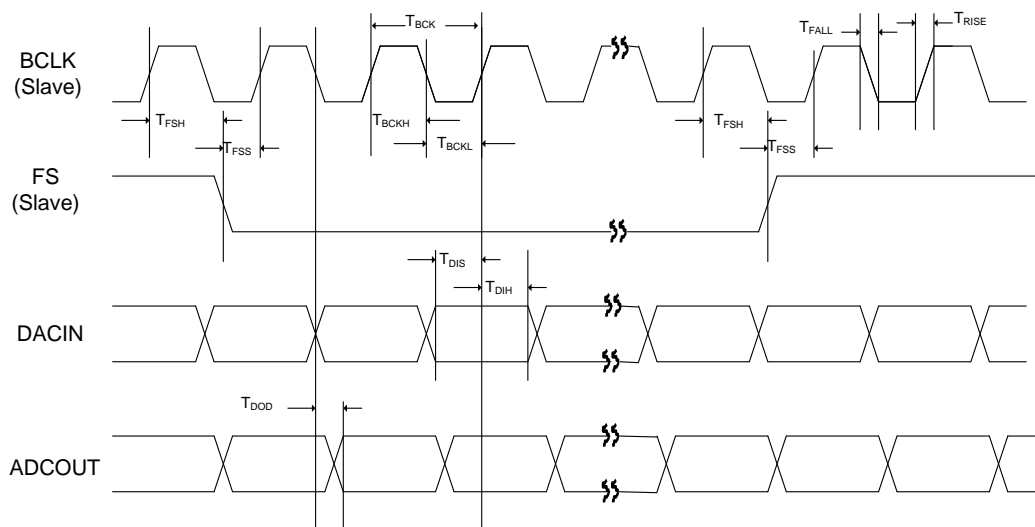


Figure 28 Audio Interface Mode Slave Timing

Symbol	Description	min	typ	max	unit
$T_{BCK}$	BCLK Cycle Time in Slave Mode	50	-	-	ns
$T_{BCKH}$	BCLK High Pulse Width in Slave Mode	20	-	-	ns
$T_{BCKL}$	BCLK Low Pulse Width in Slave Mode	20	-	-	ns
$T_{FSS}$	FS to BCLK Rising Edge Setup Time in Slave Mode	20	-	-	ns
$T_{FSH}$	BCLK Rising Edge to FS Hold Time in Slave Mode	20	-	-	ns
$T_{RISE}$	Rise Time for All Audio Interface Signals	-	-	$0.135T_{BCK}$	ns
$T_{FALL}$	Fall Time for All Audio Interface Signals	-	-	$0.135T_{BCK}$	ns
$T_{DIS}$	DACIN to BCLK Rising Edge Setup Time	15	-	-	ns
$T_{DIH}$	BCLK Rising Edge to DACIN Hold Time	15	-	-	ns
$T_{DOD}$	BCLK Falling Edge to ADCOUT Delay Time	-	-	10	ns

Table 16 Audio Interface Slave Mode Timing Parameters

### 9. Control and Status Registers

REG	Function	Name	Bit				Description
			[15..12]	[11..8]	[7..4]	[3..0]	
0	SOFTWARE_RST	SOFTWARE_RESET					Software Reset (Write any value <b>once</b> to reset all the registers.)
1	ENA_CTRL	CMLCK_ENB					PGA Common Mode Lock Enable Control 0 = Enable (DEFAULT) 1 = Disable
		CLK_DAC_INV					DAC Clock Inversion In Analog Domain Enable Control 0 = Disable (DEFAULT) 1 = Enable
		DACEN					DAC Enable Control 0 = Disable (DEFAULT) 1 = Enable
		ADCEN					ADC Enable Control 0 = Disable (DEFAULT) 1 = Enable
		DCLK_ADC_EN					ADC Clock Enable Control 0 = Disable (DEFAULT) 1 = Enable
		DCLK_DAC_EN					DAC Clock Enable Control 0 = Disable (DEFAULT) 1 = Enable
		CLK_BIST_EN					BIST Clock Enable Control 0 = Disable 1 = Enable (DEFAULT)
		CLK_I2S_EN					I2S Clock Enable Control 0 = Disable 1 = Enable (DEFAULT)
		CLK_DRC_EN					DRC Clock Enable Control 0 = Disable 1 = Enable (DEFAULT)
		MCLK_RNG_SEL					MCLK Pin Input Frequency Range Select 000 = 15.74MHz or lower frequency 100 = 15.74 - 21.6MHz 111 = 21.6 - 24.576 MHz (DEFAULT)
		SYSCLK_SEL					Master Clock Source Select 0 = MCLK (DEFAULT) 1 = 2*MCLK (Clock multiplier path - MCLKSEL 0x01[5:3] setting required)
		DEFAULT			0 0 0 0	0 0 1 1	1 1 1 1
3	CLK_DIVIDER	CLK_CODEC_SRC					ADC & DAC Clock Source Select 0 = From internal MCLK (DEFAULT) 1 = From MCLK Pin#8
		CLK_DAC_PL					DAC Clock Polarity 0 = Non-inverted (DEFAULT) 1 = Inverted
		CLK_ADC_PL					ADC Clock Polarity 0 = Non-inverted (DEFAULT) 1 = Inverted
		CLK_ADC_SRC					Scaling Divider For ADC Clock From CODEC_SRC 00 = 1 01 = 1/2 (DEFAULT) 10 = 1/4 11 = 1/8
		CLK_DAC_SRC					Scaling Divider For DAC Clock From CODEC_SRC 00 = 1 01 = 1/2 (DEFAULT) 10 = 1/4 11 = 1/8

REG	Function	Name	Bit				Description									
			[15..12]	[11..8]	[7..4]	[3..0]										
3	CLK_DIVIDER	MCLK_DIV					Scaling Divider For MCLK From SYSCLK_SEL Output 000 = 1 (DEFAULT) 001 = 1 and inverted 010 = 1/2 011 = 1/3 100 = 1/4 110 = 1/6									
		DEFAULT	0	0	0	0	0	0	1	0	1	0	0	0	0	0x0050
8		PDB_DAC														DAC V <sub>REF</sub> Buffer Power Enable Control 0 = Disable 1 = Enable (DEFAULT)
		RESERVED														RESERVED
		DEFAULT	0	1	0	0	0	0	0	0	0	0	0	0	0	0
F	INTERRUPT_MASK	APR_EMERGENCY_SHTDWN1_INTP_MASK														APR Emergency Shutdown Interrupt Mask 0 = Unmask (DEFAULT) 1 = Mask the interrupt
		KEY_RELEASE_INTP_MASK														Key Release Interrupt Mask 0 = Unmask (DEFAULT) 1 = Mask the interrupt
		KEY_INTP_MASK														Key Pressed Interrupt Mask 0 = Unmask (DEFAULT) 1 = Mask the interrupt
		MCLKDET_INTP_MASK														Missing MCLK Detection Interrupt Mask 0 = Unmask (DEFAULT) 1 = Mask the interrupt
		MIC_DET_INTP_MASK														MIC Detection Interrupt Mask 0 = Unmask (DEFAULT) 1 = Mask the interrupt
		DEFAULT	0	0	0	0	0	0	0	0	0	0	0	0	0	0
10	IRQ_STATUS	POWERUP														Mirror Of 0x74[8] MICBIAS1 Power Enable Control (For use with polling)
		KEYDET														Key Detection IRQ Status (Unlatched)
		MICDET														MIC Detection IRQ Status (Unlatched)
		APR_EMERG_SHTDWN														APR Emergency Short Circuit Shutdown IRQ Status
		KEY_RELEASE_INT														Key Release For Key Detection IRQ Status
		KEY_PRESS_INT														Key Press For Key Detection IRQ Status
		MCLK_DET_INT														Missing MCLK Detection IRQ Status
		MIC_DET_INT														MIC Detection IRQ Status
DEFAULT	X	X	X	X	X	X	X	X	X	X	X	X	X	X	Read Only	
11	INT_CLR_KEY_STATUS	INT_CLR_KEY_STATUS														Write Operation To Clear IRQ Status (Write 1s to bit[15:0] to clear related IRQ_STATUS [15:0].)
		DEFAULT	X	X	X	X	X	X	X	X	X	X	X	X	X	Read/Write

REG	Function	Name	Bit				Description													
			[15..12]	[11..8]	[7..4]	[3..0]														
12	INTERRUPT_DIS_CTRL (WRITE MODE)	APR_EMERG_SHTDWN_INT_DIS																	APR Emergency Short Circuit Shutdown Interrupt Disable Control 0 = Enable 1 = Disable (DEFAULT)	
		KEY_INT_DIS																		Key Release Interrupt Disable Control 0 = Enable 1 = Disable (DEFAULT)
		MCLKDET_INT_DIS																		Missing MCLK Detection Interrupt Disable Control 0 = Enable 1 = Disable (DEFAULT)
		MIC_DET_INT_DIS																		MIC Detection/Headset Configuration Interrupt Disable Control 0 = Enable 1 = Disable (DEFAULT)
		DEFAULT	1	1	1	1	1	1	1	1	1	1	1	1	1	1	1	1	1	0xFFFF
13	DMIC_CTRL	DMIC_DS																	DMIC Drive Current Select (For high <i>Cl</i> oad > 20pF, enable high drive current.) 0 = Low drive current (DEFAULT) 1 = High drive current	
		DMIC_SLEW																	DMIC Slew Rate Select (For high <i>Cl</i> oad > 20pF, use faster slew rate.) 000 = Slowest slew rate (DEFAULT) ▼ 111 = Fastest slew rate	
		CLK_DMIC_SRC																	DMIC Clock Speed Select 00 = ADC clock (DEFAULT) 01 = ADC clock / 2 10 = ADC clock / 4 11 = ADC clock / 8	
		DMICEN																	Digital Microphone Mode Enable Control 0 = Disable (DEFAULT) 1 = Enable	
		DEFAULT	0	0	0	0	1	1	1	1	0	0	0	0	0	0	0	0	0	0x0F00
1B	TDM_CTRL	TDM																	TDM Enable Control 0 = Disable (DEFAULT) 1 = Enable	
		PCM_OFFSET_MODE_CTRL																	PCM Offset In TDM Enable Control 0 = Disable (DEFAULT) 1 = Enable	
		ADCPHS0																	ADC Audio Data Left-right Ordering Select 0 = Left ADC data in left phase of LRP (DEFAULT) 1 = Left ADC data in right phase of LRP (left-right reversed)	
		DACPHS0																	DAC Audio Data Left-right Ordering Select 0 = Left DAC data in left phase of LRP (DEFAULT) 1 = Left DAC data in right phase of LRP (left-right reversed)	
		DAC_SEL																	DAC Left Channel Source Under TDM Mode I2S : 000 : From Slot 0 (DEFAULT)      001: From Slot 1 010 : From Slot 2                  011: From Slot 3 100 : RESERVED                    101: RESERVED 110 : RESERVED                    111: RESERVED  PCM: 000: From slot 0 (DEFAULT)      001: From slot 1 010: From slot 2                  011: From slot 3 100: From slot 4                  101: From slot 5 110: From slot 6                  111: From slot 7	

REG	Function	Name	Bit				Description
			[15..12]	[11..8]	[7..4]	[3..0]	
1B	TDM_CTRL	ADC_TX_SEL					<b>DAC Right Channel Source Under TDM Mode</b> I2S: 000 : From Slot 0 (DEFAULT)      001: From Slot 1 010 : From Slot 2      011: From Slot 3 100 : RESERVED      101: RESERVED 110 : RESERVED      111: RESERVED  PCM: 000: From slot 0 (DEFAULT)      001: From slot 1 010: From slot 2      011: From slot 3 100: From slot 4      101: From slot 5 110: From slot 6      111: From slot 7
		DEFAULT	0	0	0	0	0x0000
1C	I2S_PCM_CTRL1	DACCM0					<b>DAC Companding Mode Select</b> 00 = Off (DEFAULT - Normal linear operation) 01 = RESERVED 10 = $\mu$ -law companding 11 = A-law companding
		ADCCM0					<b>ADC Companding Mode Select</b> 00 = Off (DEFAULT - Normal linear operation) 01 = RESERVED 10 = $\mu$ -law companding 11 = A-law companding
		ADDAP0					<b>ADC Output Data Stream Directly Routed To DAC Input Data Path Enable Control</b> 0 = Disable (DEFAULT) 1 = Enable
		CMB8_0					<b>8-bit Word For Companding Mode Of Operation Enable Control</b> 0 = Normal operation (DEFAULT - No companding) 1 = 8-bit operation for companding mode
		UA_OFFSET					<b>uLaw Offset Select</b> 0 = 1's complement (DEFAULT) 1 = 2's complement
		BCP0					<b>Bit Clock Phase Inversion Option For BCLK</b> 0 = Non-inverted (DEFAULT) 1 = Inverted
		LRP0					<b>PCMA &amp; PCMB Left/right Word Ordering Select</b> 0 = Right Justified/Left Justified/I2S/PCMA mode (DEFAULT) 1 = PCMB Mode Enable: MSB is valid on 1st rising edge of BCLK after rising edge of FS
		WLEN0					<b>Word Length of Audio Data Stream Select</b> 00 = 16-bit word length 01 = 20-bit word length 10 = 24-bit word length (DEFAULT) 11 = 32-bit word length
		AIFMT0					<b>Audio Interface Data Format Select</b> 00 = Right justified 01 = Left justified 10 = Standard I2S format (DEFAULT) 11 = PCMA or PCMB audio data format option
		DEFAULT	0	0	0	0	0x000A

REG	Function	Name	Bit				Description												
			[15..12]	[11..8]	[7..4]	[3..0]													
1D	I2S_PCM_CTRL2	I2S_TRI					<b>I2S Tri State Enable Control</b> 0 = Normal mode 1 = Output high Z (DEFAULT)												
		I2S_DRV					<b>I2S Drive Enable Control</b> 0 = Normal mode (DEFAULT) 1 = Always out												
		LRC_DIV					<b>LRC(FS) Divider From BCLK Frequency</b> 00 = 1/256 (DEFAULT)    01 = 1/128 10 = 1/64                    11 = 1/32												
		PCM_TS_EN0					<b>PCM Time Slot Function Enable Control</b> (Only PCM_A_MODE or PCM_B_MODE (STEREO Only) can be used when PCM Mode is selected.) 0 = Disable time slot function for PCM mode (DEFAULT) 1 = Enable time slot function for PCM mode												
		TRIO					<b>Without TDM Mode</b> 0 = Drive the full clock of LSB (DEFAULT) 1 = Tri-state the 2nd half of LSB												
		PCM8BIT0					<b>PCM 8 Bit Select</b> 0 = Use I2S_PCM_CTRL.WLEN to select word length (DEFAULT) 1 = PCM select 8-bit word length												
		RESERVED					<b>RESERVED</b>												
		ADCDAT0_PE					<b>ADCDAT IO Pull Enable Control</b> 0 = Disable (DEFAULT) 1 = Enable												
		ADCDAT0_PS					<b>ADCDAT IO Pull Up/Down Enable Control</b> 0 = Pull down (DEFAULT) 1 = Pull up												
		ADCDAT0_OE					<b>ADCDAT IO Output Enable Control</b> 0 = ADCDAT not always out (when no data out, ADCOUT pin becomes high.) 1 = ADCDAT always out (DEFAULT)												
		MS0					<b>Master/Slave Mode Enable Control</b> 0 = Slave mode (DEFAULT) 1 = Master mode												
		BCLKDIV					<b>BCLK Divider From MCLK Frequency</b> 000 = 1 (DEFAULT)    001 = 1/2 010 = 1/4                011 = 1/8 100 = 1/16               101 = 1/32												
DEFAULT					1 0 0 0 0 0 0 0 0 0 0 0 0 1 0 0 0 0 <b>0x8010</b>														
1E	LEFT_TIME_SLOT	FS_ERR_CMP_SEL					<b>Triggers Short Frame Sync Signal</b> (If frame sync is less than) 00 = 252 x MCLK    01 = 253 x MCLK (DEFAULT) 10 = 254 x MCLK    11 = 255 x MCLK												
		DIS_FS_SHORT_DET					<b>Short Gram Sync Detection Logic Enable Control</b> 0 = Enable (DEFAULT) 1 = Disable												
		TSLOT_L0					<b>Left channel PCM Time Slot Start Value / PCM TDM Offset Mode Slot Start Value</b>												
		DEFAULT	0	0	0	0	0	0	0	0	0	0	0	0	0	0	0	0	<b>0x0000</b>
21	BIQ0_COF1	BIQ0_A1_L																	<b>Program ADC BIQ0_A1 Parameter Bit[15:0]</b>
		DEFAULT	0	0	0	0	0	0	0	0	0	0	0	0	0	0	0	0	<b>0x0000</b>
22	BIQ0_COF2	BIQ0_A1_H																	<b>Program ADC BIQ0_A1 Parameter Bit[18:16]</b>
		DEFAULT	0	0	0	0	0	0	0	0	0	0	0	0	0	0	0	0	<b>0x0000</b>
23	BIQ0_COF3	BIQ0_A2_L																	<b>Program ADC BIQ0_A2 Parameter Bit[15:0]</b>
		DEFAULT	0	0	0	0	0	0	0	0	0	0	0	0	0	0	0	0	<b>0x0000</b>
24	BIQ0_COF4	BIQ0_A2_H																	<b>Program ADC BIQ0_A2 Parameter Bit[18:16]</b>
		DEFAULT	0	0	0	0	0	0	0	0	0	0	0	0	0	0	0	0	<b>0x0000</b>
25	BIQ0_COF5	BIQ0_B0_L																	<b>Program ADC BIQ0_B0 Parameter Bit[15:0]</b>
		DEFAULT	0	0	0	0	0	0	0	0	0	0	0	0	0	0	0	0	<b>0x0000</b>



REG	Function	Name	Bit				Description
			[15..12]	[11..8]	[7..4]	[3..0]	
26	BIQ0_COF6	BIQ0_B0_H					Program ADC BIQ0_B0 Parameter Bit[18:16]
		DEFAULT	0	0	0	0	0x0000
27	BIQ0_COF7	BIQ0_B1_L					Program ADC BIQ0_B1 Parameter Bit[15:0]
		DEFAULT	0	0	0	0	0x0000
28	BIQ0_COF8	BIQ0_B1_H					Program ADC BIQ0_B1 Parameter Bit[18:16]
		DEFAULT	0	0	0	0	0x0000
29	BIQ0_COF9	BIQ0_B2_L					Program ADC BIQ0_B2 Parameter Bit[15:0]
		DEFAULT	0	0	0	0	0x0000
2A	BIQ0_COF10	BIQ0_EN					BIQ0 ADC Path Enable Control 0 = Disable (DEFAULT) 1 = Enable
		BIQ0_B2_H					Program ADC BIQ0_B2 Parameter Bit[18:16]
		DEFAULT	0	0	0	0	0x0000 R/W
2B	ADC_RATE	ADC_SRC					ADC Channel Source Select (NAU88L11 generates mono analog data in the left channel and no data in the right channel.)  In Non-DMIC Mode 0 = Latch left channel analog data input into the left channel filter (DEFAULT) 1 = Latch right channel analog data input into the left channel filter  In DMIC Mode 0 = Left channel in rising edge (DEFAULT) 1 = Left channel in falling edge
		SMPL_RATE					Generating 2.048MKHz based on Sample Rates 000 = 48K (DEFAULT)    001 = 32K 110 = 96K                111 = 192K
		GAINCMP					RESERVED
		OSR_ADC_RATE					ADC SINC Down Select 00 = Down 32                01 = Down 64 10 = Down 128             11 = Down 256 (DEFAULT)
		DEFAULT	0	0	0	0	0x0002
2C	DAC_CTRL1	CICCLP_OFF					0 = (DEFAULT)
		CIC_GAIN_ADJ					For Fine Tuning SDAC Output
		OSR_DAC_RATE					DAC Oversample Rate Select 000 = 64                    001 = 256 010 = 128 (DEFAULT)    100 = 32
		DEFAULT	0	0	0	0	0x0082
2D	DAC_CTRL2	RESERVED					RESERVED
		SDMOD_DITHER					Bit Numbers Of Dithering On SD Modulator (Each level increments dithering by 1 bit.) 0000 = No dithering (DEFAULT) 0001 = 1 0010 = 2 0011 = 3 0100 = 4 0101 = 5 0110 = 6 0111 = 7 1000 = 8 1001 = 9 1010 = 10 1011 = 11 1100 = 12 1101 = 13 1110 = 14 1111 = 15
		RESERVED					RESERVED

REG	Function	Name	Bit				Description						
			[15..12]	[11..8]	[7..4]	[3..0]							
		RESERVED					RESERVED						
		DEFAULT	0	0	0	0	0x0000						
30	ADC_DGAIN_CTRL	ADC_TO_DAC_ST0					<b>ADC to DAC Sidetone Select</b> (Step size is 3dB.) 0x00 = Mute (DEFAULT) 0x01 = -42dB ▼ 0x0E = -3dB 0x0F = 0dB						
		DEFAULT	0	0	0	0	0x0000						
31	MUTE_CTRL	RESERVED					RESERVED						
		DAC_SLOW_UM					<b>DAC Slow Soft Unmute Enable Control</b> 0 = Disable (16 MCLK per step soft unmute) (DEFAULT) 1 = Enable (512 MCLK per step soft unmute)						
		DAC_ZC_EN					<b>DAC Zero Crossing Enable Control</b> 0 = Disable (DEFAULT) 1 = Enable						
		AMUTE_EN					<b>Auto Mute Enable Control</b> (Generate null output to analog circuitry when 1024 consecutive zeros are detected. De-assert as soon as first non-zero sample is detected.) 0 = Disable (DEFAULT) 1 = Enable						
		AMUTE_CTRL					<b>Auto Mute Control</b> 0 = Both DAC channels must have 0 values for 1024 samples before AMUTE turns on (DEFAULT) 1 = Either Ch0 or Ch1 must have 1024 consecutive zero samples						
		SMUTE_EN					<b>Soft Mute Enable Control</b> 0 = Gradually increase DAC volume to volume register setting (DEFAULT) 1 = Gradually lower DAC volume to zero						
		ADC_ZC_EN					<b>ADC Zero Crossing Enable Control</b> 0 = Disable (DEFAULT) 1 = Enable						
		ADC_SMUTE_EN					<b>ADC Soft Mute Enable Control</b> 0 = Disable (DEFAULT) 1 = Enable						
				DEFAULT	0	0	0	0	0x0000				
34	DAC_DGAIN_CTRL	RESERVED					RESERVED						
		DGAIN_DAC					<b>DAC Volume Control</b> (Step size is 0.5dB.) 0xFF = +24dB 0xFE = +23.5dB ▼ 0xCF = 0dB (DEFAULT) ▼ 0x4B = -66dB 0x4A = RESERVED ▼ 0x0F = RESERVED 0x0E = Mute 0x00 = Mute						
		DEFAULT	1	1	0	0	1	1	1	1	0	1	1
35	ADC_DGAIN_CTRL	RESERVED					RESERVED						

REG	Function	Name	Bit																Description
			[15..12]				[11..8]				[7..4]				[3..0]				
		DGAIN_ADC																	<b>ADC Volume Control</b> (Step size is 0.5dB.) 0xFF = +24dB 0xFE = +23.5dB ▼ 0xCF = 0dB (DEFAULT) ▼ 0x4B = -66dB 0x4A = RESERVED ▼ 0x0F = RESERVED 0x0E = Mute 0x00 = Mute
		DEFAULT	1	1	0	0	1	1	1	1	1	1	0	0	1	1	1	1	<b>0x0FCF</b>
36	ADC_DRC_KNEE_IP12	DRC_ENA_ADC																	<b>DRC ADC Channel Enable Control</b> 0 = Disable (DEFAULT) 1 = Enable
		DRC_KNEE2_IP_ADC																	<b>DRC ADC Knee Point 2 Select</b> (Step size is 1dB.) 0x00 = 0dB 0x01 = -1dB ▼ 0x14 = -20dB (DEFAULT) ▼ 0x3E = -62dB 0x3F = -63dB
		DRC_SMTH_ENA_ADC																	<b>DRC ADC Smooth Filter Enable Control</b> 0 = Disable 1 = Enable (DEFAULT)
		DRC_KNEE1_IP_ADC																	<b>DRC ADC Knee Point 1 Select</b> (Step size is 1dB.) 0x00 = 0dB 0x01 = -1dB ▼ 0x06 = -6dB (DEFAULT) ▼ 0x1E = -30dB 0x1F = -31dB
		DEFAULT	0	0	0	1	0	1	0	0	1	0	0	0	0	1	1	0	<b>0x1486</b>
37	ADC_DRC_KNEE_IP34	DRC_KNEE4_IP_ADC																<b>DRC ADC Knee Point 4 Select</b> (Step size is 1dB.) 0x00 = -35dB 0x01 = -36dB ▼ 0x0F = -50dB (DEFAULT) ▼ 0x3E = -97dB 0x3F = -98dB	
		DRC_KNEE3_IP_ADC																<b>DRC ADC Knee Point 3 Select</b> (Step size is 1dB.) 0x00 = -18dB 0x01 = -19dB ▼ 0x12 = -36dB (DEFAULT) ▼ 0x3E = -80dB 0x3F = -81dB	
		DEFAULT	0	0	0	0	1	1	1	1	0	0	0	1	0	0	1	0	<b>0x0F12</b>
38	ADC_DRC_SLOPES	DRC_NG_SLP_ADC																<b>DRC ADC Noise Gate Slope</b> 00 = 1:1      01 = 2:1 10 = 4:1 (DEFAULT)      11 = 8:1	
		DRC_EXP_SLP_ADC																<b>DRC ADC Expansion Slope</b> 00 = 1:1      01 = 2:1 10 = 4:1 (DEFAULT)      11 = RESERVED	
		DRC_CMP2_SLP_ADC																<b>DRC ADC Compressor Slope (Lower Region)</b> 000 = 0      001 = 1:2 010 = 1:4      011 = 1:8 100 = 1:16      101-110 = RESERVED 111 = 1 (DEFAULT)	

REG	Function	Name	Bit				Description												
			[15..12]	[11..8]	[7..4]	[3..0]													
		DRC_CMP1_SLP_ADC					<b>DRC ADC Compressor Slope (Higher Region)</b> 000 = 0                    001 = 1:2 010 = 1:4                011 = 1:8 100 = 1:16               101-110 = RESERVED 111 = 1 (DEFAULT)												
		DRC_LMT_SLP_ADC					<b>DRC ADC Limiter Slope</b> 000 = 0                    001 = 1:2 010 = 1:4                011 = 1:8 100 = 1:16               101 = 1:32 110 = 1:64               111 = 1 (DEFAULT)												
		DEFAULT	0	0	1	0	0	1	0	1	1	1	1	1	1	1	1	1	1
39	ADC_DRC_ATKDCY	DRC_PK_COEF1_ADC					<b>DRC ADC Peak Detection Attack Time</b> (Ts = 1/SAMPL_RATE) 0000 = Ts                0001 = 3*Ts 0010 = 7*Ts             0011 = 15*Ts (DEFAULT) 0100 = 31*Ts            0101 = 63*Ts 0110 = 127*Ts          0111 = 255*Ts 1001 = 511*Ts												
		DRC_PK_COEF2_ADC					<b>DRC ADC Peak Detection Release Time</b> (Ts = 1/SAMPL_RATE) 0000 = 63*Ts            0001 = 127*Ts 0010 = 255*Ts          0011 = 511*Ts 0100 = 1023*Ts        0101 = 2047*Ts (DEFAULT) 0110 = 4095*Ts        0111 = 8191*Ts 1001 = 16383*Ts												
		DRC_ATK_ADC					<b>DRC ADC Attack Time</b> (Ts = 1/SAMPL_RATE) 0000 = Ts                0001 = 3*Ts 0010 = 7*Ts              0011 = 15*Ts 0100 = 31*Ts            0101 = 63*Ts (DEFAULT) 0110 = 127*Ts          0111 = 255*Ts 1000 = 511*Ts          1001 = 1023*Ts 1010 = 2047*Ts        1011 = 4095*Ts 1100 = 8191*Ts												
		DRC_DCY_ADC					<b>DRC ADC Decay Time</b> (Ts = 1/SAMPL_RATE) 0000 = 63*Ts            0001 = 127*Ts 0010 = 255*Ts          0011 = 511*Ts 0100 = 1023*Ts        0101 = 2047*Ts 0110 = 4095*Ts        0111 = 8191*Ts (DEFAULT) 1000 = 16383*Ts       1001 = 32757*Ts 1010 = 65535*Ts												
		DEFAULT	0	0	1	1	0	1	0	0	0	1	0	1	0	1	1	1	1
3A	DAC_DRC_KNEE_IP12	DRC_ENA_DAC					<b>DRC DAC Channel Enable Control</b> 0 = Disable (DEFAULT) 1 = Enable												
		DRC_KNEE2_IP_DAC					<b>DRC DAC Knee Point 2 Select</b> (Step size is 1dB.) 0x00 = 0dB 0x01 = -1dB ▼ 0x14 = -20dB (DEFAULT) ▼ 0x3E = -62dB 0x3F = -63dB												
		DRC_SMT_H_ENA_DAC					<b>DRC DAC Smooth Filter Enable Control</b> 0 = Disable 1 = Enable (DEFAULT)												
		DRC_KNEE1_IP_DAC					<b>DRC DAC Knee Point 1 Select</b> (Step size is 1dB.) 0x00 = 0dB 0x01 = -1dB ▼ 0x06 = -6dB (DEFAULT) ▼ 0x1E = -30dB 0x1F = -31dB												

REG	Function	Name	Bit				Description												
			[15..12]	[11..8]	[7..4]	[3..0]													
		DEFAULT	0	0	0	1	0	1	0	0	1	0	0	0	0	1	1	0	0x1486
3B	DAC_DRC_KNEE_IP34	DRC_KNEE4_IP_DAC																	<b>DRC DAC Knee Point 4 Select</b> (Step size is 1dB.) 0x00 = -35dB 0x01 = -36dB ▼ 0x0F = -50dB (DEFAULT) ▼ 0x3E = -97dB 0x3F = -98dB
		DRC_KNEE3_IP_DAC																	<b>DRC DAC Knee Point 3 Select</b> (Step size is 1dB.) 0x00 = -18dB 0x01 = -19dB ▼ 0x12 = -36dB (DEFAULT) ▼ 0x3E = -80dB 0x3F = -81dB
		DEFAULT	0	0	0	0	1	1	1	1	0	0	0	1	0	0	1	0	0x0F12
3C	DAC_DRC_SLOPES	DRC_NG_SLP_DAC																	<b>DRC DAC Noise Gate Slope</b> 00 = 1:1                      01 = 2:1 10 = 4:1 (DEFAULT)      11 = 8:1
		DRC_EXP_SLP_DAC																	<b>DRC DAC Expansion Slope</b> 00 = 1:1                      01 = 2:1 10 = 4:1 (DEFAULT)      11 = 8:1
		DRC_CMP2_SLP_DAC																	<b>DRC DAC Compressor Slope (Lower Region)</b> 000 = 0                      001 = 1:2 010 = 1:4                      011 = 1:8 100 = 1:16                      101-110 = RESERVED 111 = 1 (DEFAULT)
		DRC_CMP1_SLP_DAC																	<b>DRC DAC Compressor Slope (Higher Region)</b> 000 = 0                      001 = 1:2 010 = 1:4                      011 = 1:8 100 = 1:16                      101-110 = RESERVED 111 = 1 (DEFAULT)
		DRC_LMT_SLP_DAC																	<b>DRC DAC Limiter Slope</b> 000 = 0                      001 = 1:2 (DEFAULT) 010 = 1:4                      011 = 1:8 100 = 1:16                      101 = 1:32 110 = 1:64                      111 = 1
		DEFAULT	0	0	1	0	0	1	0	1	1	1	1	1	1	0	0	1	0x25F9
3D	DAC_DRC_ATKDCY	DRC_PK_COEF1_DAC																	<b>DRC DAC Peak Detection Attack Time</b> (Ts = 1/SMPL_RATE) 0000 = Ts                      0001 = 3*Ts 0010 = 7*Ts                      0011 = 15*Ts (DEFAULT) 0100 = 31*Ts                      0101 = 63*Ts 0110 = 127*Ts                      0111 = 255*Ts 1XXX = RESERVED
		DRC_PK_COEF2_DAC																	<b>DRC DAC Peak Detection Release Time</b> (Ts = 1/SMPL_RATE) 0000 = 63*Ts                      0001 = 127*Ts 0010 = 255*Ts                      0011 = 511*Ts 0100 = 1023*Ts                      0101 = 2047*Ts (DEFAULT) 0110 = 4095*Ts                      0111 = 8191*Ts 1XXX = RESERVED
3D	DAC_DRC_ATKDCY	DRC_ATK_DAC																	<b>DRC DAC Attack Time</b> (Ts = 1/SMPL_RATE) 0000 = Ts                      0001 = 3*Ts 0010 = 7*Ts                      0011 = 15*Ts 0100 = 31*Ts                      0101 = 63*Ts (DEFAULT) 0110 = 127*Ts                      0111 = 255*Ts 1000 = 511*Ts                      1001 = 1023*Ts 1010 = 2047*Ts                      1011 = 4095*Ts 1100 = 8191*Ts

REG	Function	Name	Bit				Description										
			[15..12]	[11..8]	[7..4]	[3..0]											
		DRC_DCY_DAC															<b>DRC DAC Decay Time</b> (Ts = 1/SMPL_RATE) 0000 = 63*Ts          0001 = 127*Ts 0010 = 255*Ts        0011 = 511*Ts 0100 = 1023*Ts       0101 = 2047*Ts 0110 = 4095*Ts       0111 = 8191*Ts (DEFAULT) 1000 = 16383*Ts      1001 = 32757*Ts 1010 = 65535*Ts
		DEFAULT	0	0	1	1	0	1	0	0	0	1	0	1	1	1	0x3457
41	BIQ1_COF1	BIQ1_A1_L															Program DAC BIQ1_A1 Parameter Bit[15:0]
		DEFAULT	0	0	0	0	0	0	0	0	0	0	0	0	0	0	0
42	BIQ1_COF2	BIQ1_A1_H															Program DAC BIQ1_A1 Parameter Bit[18:16]
		DEFAULT	0	0	0	0	0	0	0	0	0	0	0	0	0	0	0
43	BIQ1_COF3	BIQ1_A2_L															Program DAC BIQ1_A2 Parameter Bit[15:0]
		DEFAULT	0	0	0	0	0	0	0	0	0	0	0	0	0	0	0
44	BIQ1_COF4	BIQ1_A2_H															Program DAC BIQ1_A2 Parameter Bit[18:16]
		DEFAULT	0	0	0	0	0	0	0	0	0	0	0	0	0	0	0
45	BIQ1_COF5	BIQ1_B0_L															Program DAC BIQ1_B0 Parameter Bit[15:0]
		DEFAULT	0	0	0	0	0	0	0	0	0	0	0	0	0	0	0
46	BIQ1_COF6	BIQ1_B0_H															Program DAC BIQ1_B0 Parameter Bit[18:16]
		DEFAULT	0	0	0	0	0	0	0	0	0	0	0	0	0	0	0
47	BIQ1_COF7	BIQ1_B1_L															Program DAC BIQ1_B1 Parameter Bit[15:0]
		DEFAULT	0	0	0	0	0	0	0	0	0	0	0	0	0	0	0
48	BIQ1_COF8	BIQ1_B1_H															Program DAC BIQ1_B1 Parameter Bit[18:16]
		DEFAULT	0	0	0	0	0	0	0	0	0	0	0	0	0	0	0
49	BIQ1_COF9	BIQ1_B2_L															Program DAC BIQ1_B2 Parameter Bit[15:0]
		DEFAULT	0	0	0	0	0	0	0	0	0	0	0	0	0	0	0
4A	BIQ1_COF10	BIQ1_EN															<b>BIQ1 DAC Path Enable Control</b> 0 = Disable (DEFAULT) 1 = Enable
		BIQ1_B2_H															Program DAC BIQ1_B2 Parameter Bit[18:16]
		DEFAULT	0	0	0	0	0	0	0	0	0	0	0	0	0	0	0
4C	IMM_MODE_CTRL	RESERVED															RESERVED
		DEFAULT	0	0	0	0	0	0	0	0	0	0	0	0	0	0	0
51	VCM_BUF	VCM_GAIN_CTRL															<b>VCM Buffer Gain Control</b> 1000 = 1.65V (DEFAULT)
		PDB_VCMBUF															<b>VCM Buffer Enable Control</b> 0 = Disable (DEFAULT) 1 = Enable
		VOUT_PRECHG_DISABLE															<b>Output VCM Pre-charge Enable Control</b> 0 = Enable 1 = Disable (DEFAULT)
		PRECHG_IB_CTRL															<b>VCM Pre-charge Tail R-bias Control</b> (Step size is -5K.) 00 = (DEFAULT - R=75K) 01 = (R=70K) 10 = (R=65K) 11 = (R=60K)
		DEFAULT	0	0	0	0	0	0	1	0	0	0	0	1	0	0	0
52	SPK_DRV	MUTE_SPK															<b>Speaker Driver Mute Enable Control</b> 0 = Disable (DEFAULT) 1 = Enable
		MDRV_IB_SEL															<b>Class AB amplifier Bias Current Select</b> 00 = No current 01 = 0.5uA 10 = 1.0uA (DEFAULT) 11 = 1.5uA

REG	Function	Name	Bit				Description										
			[15..12]	[11..8]	[7..4]	[3..0]											
		PUP_MAIN_DRV					<b>Main Speaker Driver Power Enable Control</b> 0 = Disable (DEFAULT) 1 = Enable										
		SPK_GAIN_CNTRL					<b>SPK Gain Select</b> (Step size is 0.4dB.) 0000 = 0dB (DEFAULT) 0001 = 0.4dB ▼ 1110 = 5.2dB 1111 = 5.6dB										
		DEFAULT	0	0	0	0	0	<b>0x0080</b>									
53	SPG_AMP_OFFSETDEC	CAL_SGN						<b>Class-AB Offset Trim Sign</b>									
		EN_CAL						<b>Enable Class-AB Amplifier Offset Trim</b>									
		OFFSET_CAL0						<b>Class-AB Amplifier Input 3bit Offset Trim</b>									
		DEFAULT	0	0	0	0	0	0	<b>0x0000</b>								
55	MISC_CTRL	RAM_TEST_START						<b>Ram Test Control</b> 0 = Disable (DEFAULT) 1 = Enable									
		D2A_LOOP						<b>ADC Decimation Filter Output To DAC Filter Input Loop Enable Control</b> 0 = Disable (DEFAULT) 1 = Enable									
		DEFAULT	0	0	0	0	0	0	<b>0x0000</b>								
58	I2C_DEVICE_ID	I2C_DEVICE_ID						<b>I2C Device ID Read In [0x1B]</b>									
		SILICON REVISION ID						<b>Silicon Revision Bits</b>									
		DEFAULT	X	0	0	1	1	0	1	1	1	X	X	X	X	X	X
59	SARDOUT_RAM_STATUS	RATM_TEST_FINISH							<b>RAM Test Status Bit</b> 0 = Test not finished 1 = Test finished								
		RAM_TEST_FAIL							<b>RAM Test Result Bit</b> 0 = Test passed 1 = Test failed								
		ANALOG_MUTE							<b>Analog Mute Flag Bit</b> 0 = Disable 1 = Enable								
		DEFAULT	X	X	X	X	X	X	X	X	X	X	X	X	X	X	X
66	BIAS_ADJ	MUTE							<b>PGA Mute Enable Control</b> 0 = Disable (DEFAULT) 1 = Enable								
		TESTDAC							<b>DAC Test Only</b>								
		RESERVED							<b>RESERVED</b>								
		VMIDEN							<b>VMID Enable Control</b> 0 = Disable (DEFAULT) 1 = Enable								
		VMIDSEL							<b>VMID Tie-off Impedance Select</b> 00 = Open           01 = 25k Ohm (DEFAULT) 10 = 125k Ohm      11 = 2.5k Ohm								
		RESERVED							<b>RESERVED</b>								
		RESERVED							<b>RESERVED</b>								
		BIASADJ							<b>PGA Master Bias Current Power Select</b> 00 = Normal operation (DEFAULT) 01 = 9% reduced bias current from normal 10 = 17% reduced bias current from normal 11 = 11% increased bias current from normal								
		DEFAULT	0	0	0	0	0	0	0	0	0	0	0	0	0	0	0
69	SPARE_ANALOG1	PULL_SPKR_DWN						<b>Class AB Output To GND Pull down Enable Control</b> 0 = Disable (DEFAULT) 1 = Enable									

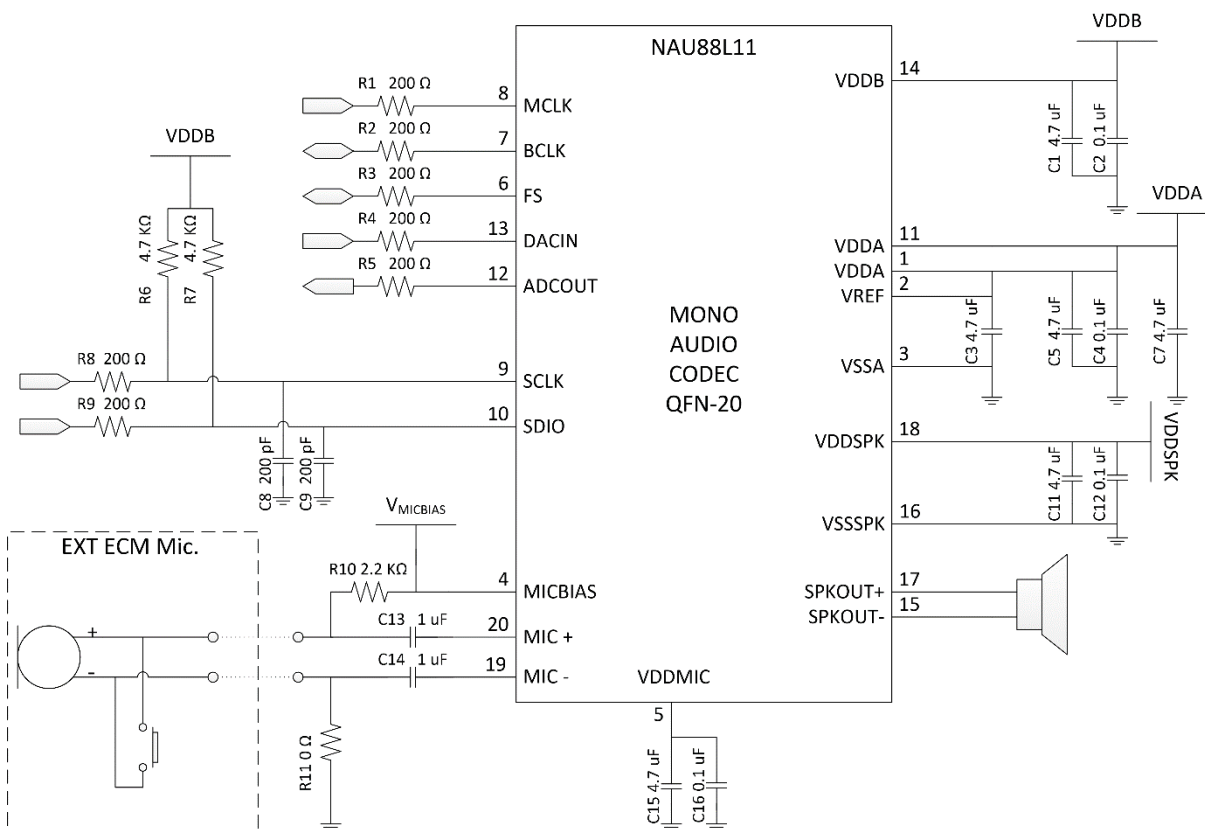
REG	Function	Name	Bit				Description													
			[15..12]	[11..8]	[7..4]	[3..0]														
		PRECHG_CURR_BOOST	1															Increase Pre-charge Slew Rate 2X For Cout=4.7uF 0 = Disable (DEFAULT) 1 = Enable		
		PRECHG_TURBO_BOOST	1																Increase Pre-charge Slew Rate 4X For Cout=4.7uF 0 = Disable (DEFAULT) 1 = Enable	
		THD_BOOST						1											Signal To Boost THD Enable Control 0 = Disable (DEFAULT) 1 = Enable	
		TESTDACIN									11								DAC Test Signal 00 = GND (DEFAULT) 01 = HIGH 10 = LOW 11 = GND	
		CAP													1					DAC Reference Decoupling Capacitor
		DEFAULT	0	0	0	0	0	0	0	0	0	0	0	0	0	0	0	0	0	0x0000
6B	MUTE_CTRL	MUTE_N																	MICN Input To PGA Mute Enable Control 0 = Disable (DEFAULT) 1 = Enable	
		MUTE_P																	MICP Input To PGA Mute Enable Control 0 = Disable (DEFAULT) 1 = Enable	
		DEFAULT	0	0	0	0	0	0	0	0	0	0	0	0	0	0	0	0	0x0000	
71	ANALOG_ADC_1	RESERVED	1	1	1	1												RESERVED		
		TRIM_MIC																	Mic Detect Threshold Control (Step size is 10uA.) 000 = (DEFAULT - Imic_det = 35uA)	
		TRIM_BUTTON																	Key Detect Threshold Control (Step size is 100uA.) 000 = (DEFAULT - lkey_det = 500uA)	
		DEFAULT	0	0	0	0	0	0	0	0	0	0	0	0	0	0	0	0	0x0000	
72	ANALOG_ADC_2	RESERVED	1															RESERVED		
		RESERVED		1															RESERVED	
		ADC_UP																	PGA Bias Current Increase Enable Control (For driving ADC at high sample rates) 0 = Disable (DEFAULT) 1 = Enable	
		BIAS																	ADC Bias Current Select 00 = Nominal     01 = Double (DEFAULT) 10 = Half        11 = Quarter	
		VREFSEL																	ADC VREF Select 00 = 1.8V         01 = 1.54V (DEFAULT) 10 = 1.65V       11 = 1.77V	
		RESERVED																	RESERVED	
		PDNOT																	Signal ADC Power Enable Control 0 = Disable (DEFAULT) 1 = Enable	
		DEFAULT	0	0	0	0	0	0	0	1	0	0	0	0	0	0	0	0	0	0x0100
73	DAC_CTRL	DAC_EN																	DAC Enable Control 0 = Disable (DEFAULT) 1 = Enable	
		CLK_DAC_EN																	DAC Clock Enable Control 0 = Disable (DEFAULT) 1 = Enable	
		FC_CTR																	DAC Smoothing Filter On Output Enable Control 0 = Disable (DEFAULT) 1 = Enable	
		CLK_DAC_DELAY																	DAC Clock Delay Setting	



REG	Function	Name	Bit				Description						
			[15..12]	[11..8]	[7..4]	[3..0]							
		DACVREFSEL										<b>DAC Full Scale Reference Voltage Select</b> (By setting this value, it will change DAC full scale output. For best performance, use default value.) 00 = 1.8V 01 = 1.56V 10 = 1.61V (DEFAULT) 11 = 1.75V	
		DEFAULT	0	0	0	0	0	0	0	1	0	0	0x0008
74	MIC_BIAS	POWERUP											<b>MICBIAS1 Power Enable Control</b> (Mirror in REG0x0A) 0 = Disable (DEFAULT) 1 = Enable
		MB_LPMODE											<b>Low Power / Low Noise Mode Select</b> 0 = Low power mode (DEFAULT) 1 = Low noise mode
		MICBIASLVL1											<b>MICBIAS1 Output Level Select</b> 000 = VDDA 001 = 1.1 x VDDA 010 = 1.2 x VDDA 011 = 1.3 x VDDA 100 = 1.4 x VDDA (DEFAULT) 101 = 1.53 x VDDA
		DEFAULT	0	0	0	0	0	0	0	0	0	1	0
76	BOOST	CLR_APR_EMERGENCY_SHTDWN											<b>Clear Headset Short Circuit Shut Down IRQ</b> 0 = (DEFAULT) 1 = Reset (Momentary)
		STG2_SEL											<b>PGA In Class-A Mode Of Operation Enable Instead Of Class-AB Enable Control</b> 0 = Disable (DEFAULT) 1 = Enable
		PDVDMFST											<b>VMID Pre-charge Disable Control</b> 0 = Disable (DEFAULT) 1 = Enable
		BIASEN											<b>Global Analog Bias Enable Control</b> 0 = Disable (DEFAULT) 1 = Enable
		DISCHRG											<b>Charge Input Enable Control</b> (Based on ACDC_CTRL) 0 = Disable (DEFAULT) 1 = Enable
		RST_SHRT_IRQ											<b>Reset IRQ Short-det Register After 100ms</b>
		DISABLE_SHRT_DET											<b>Automatic Short-circuit Detection Disable Control</b> 0 = Disable 1 = Enable (DEFAULT)
		DEFAULT	0	0	0	0	0	0	0	0	1	0	0
77	FEPGA	ACDC_CTRL											<b>Input Pin DC State Enable Control</b> (Effective when DISCHRG = 1) 0 = Disable (DEFAULT) 1 = Enable Bit0 = Charges MICP to VREF Bit1 = Charges MICN to VREF
		CMLCK_ADJ											<b>PGA Common Mode Threshold Lock Adjust</b> 00 = (DEFAULT)
		IB_LOOP_CTR											<b>PGA Current Trim</b> 0 = (DEFAULT)
		IBCTR_CODE											<b>PGA Current Trim</b> 000 = (DEFAULT)
		PGA_MODE											<b>PGA Mode Select</b> 0 = Disable (DEFAULT) 1 = Enable MODE[0] = Anti-aliasing filter adjust MODE[1] = Disconnects MICP & MICN MODE[2] = No function MODE[3] = Shorts the inputs and terminates with 12kOhm differentially
		DEFAULT	0	0	0	0	0	0	0	0	0	0	0
7E	PGA_GAIN	PGA_GAIN										<b>PGA Gain Control</b> (Step size is 1dB.)	

REG	Function	Name	Bit				Description
			[15..12]	[11..8]	[7..4]	[3..0]	
							0x00 = -1dB (DEFAULT) 0x01 = 0dB ▼ 0x24 = 35dB 0x25 = 36dB
		DEFAULT	0	0	0	0	0x0000
7F	POWER_UP_CONTROL	PUPL					PGA Power Enable Control 0 = Disable (DEFAULT) 1 = Enable
		DEFAULT	0	0	0	0	0x0000
82	GENERAL_STATUS	RESERVED					RESERVED
		DEFAULT	X	X	X	X	Read Only

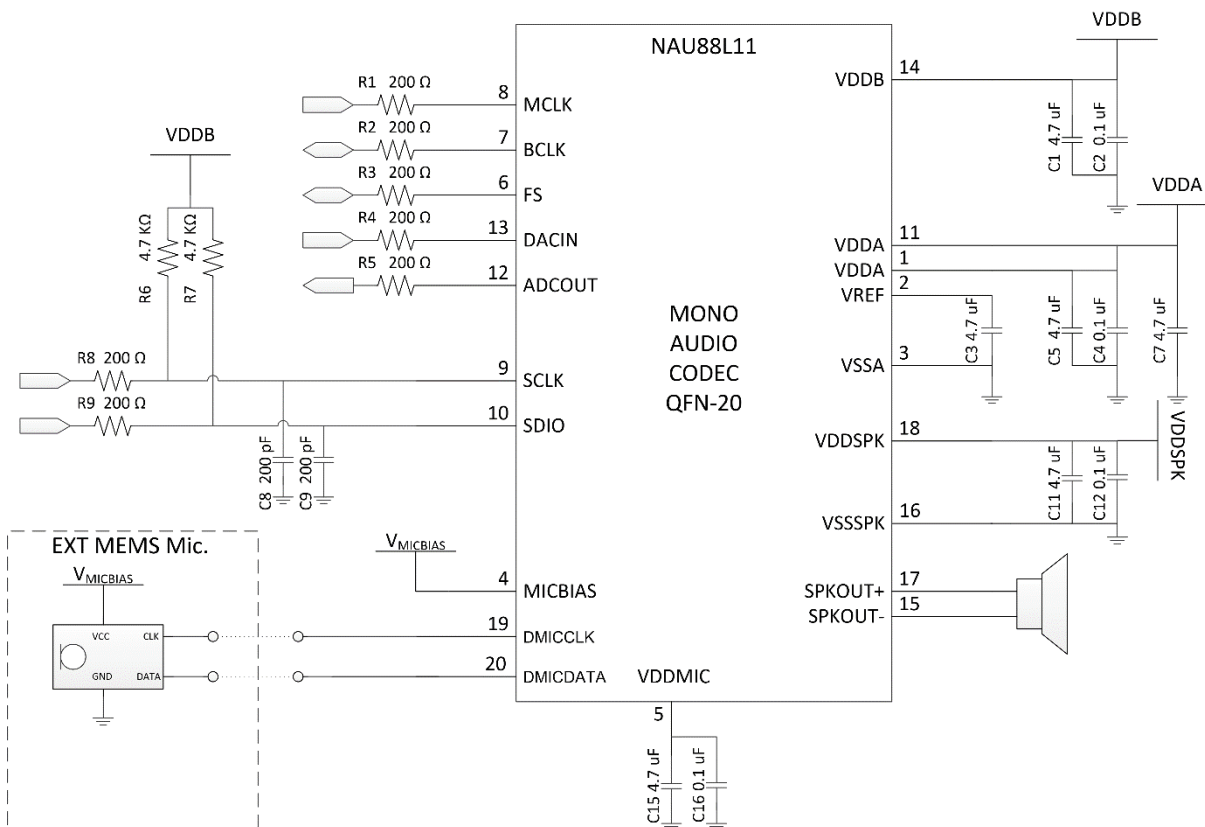
### 10. Typical Application Diagram with Analog Microphone



Notes:

1. All non-polar capacitors are assumed to be low ESR type parts, such as with MLC construction or similar. If capacitors are not low ESR, additional 0.1uF and/or 0.01uF capacitors may be necessary in parallel with the bulk 4.7uF capacitors on the supply rails. ( C1, C3, C5, C7, C11, 4.7uF must be added. Optional C2, C4, C12 depends on Low ESR Cap used.)
2. Unused MIC input pins should be left as no-connection.
3. Damping Resistor R1~R5, the resistance may vary by different PCB.
4. I2C Low pass filter cut-off frequency should be 8MHz to 33MHz
5. For ECM Microphone type, MIC- should be routed to a quiet ground reference near the VREF capacitor. Customer may omit the 0ohm placed in schematic, but should not route this pin through Thermal pad, but route directly to the VREF Cap.
6. VDDA on Pin 11 must have a separate capacitor to ground. (C7 must be added)

### 10.1 Typical Application Diagram with Digital Microphone

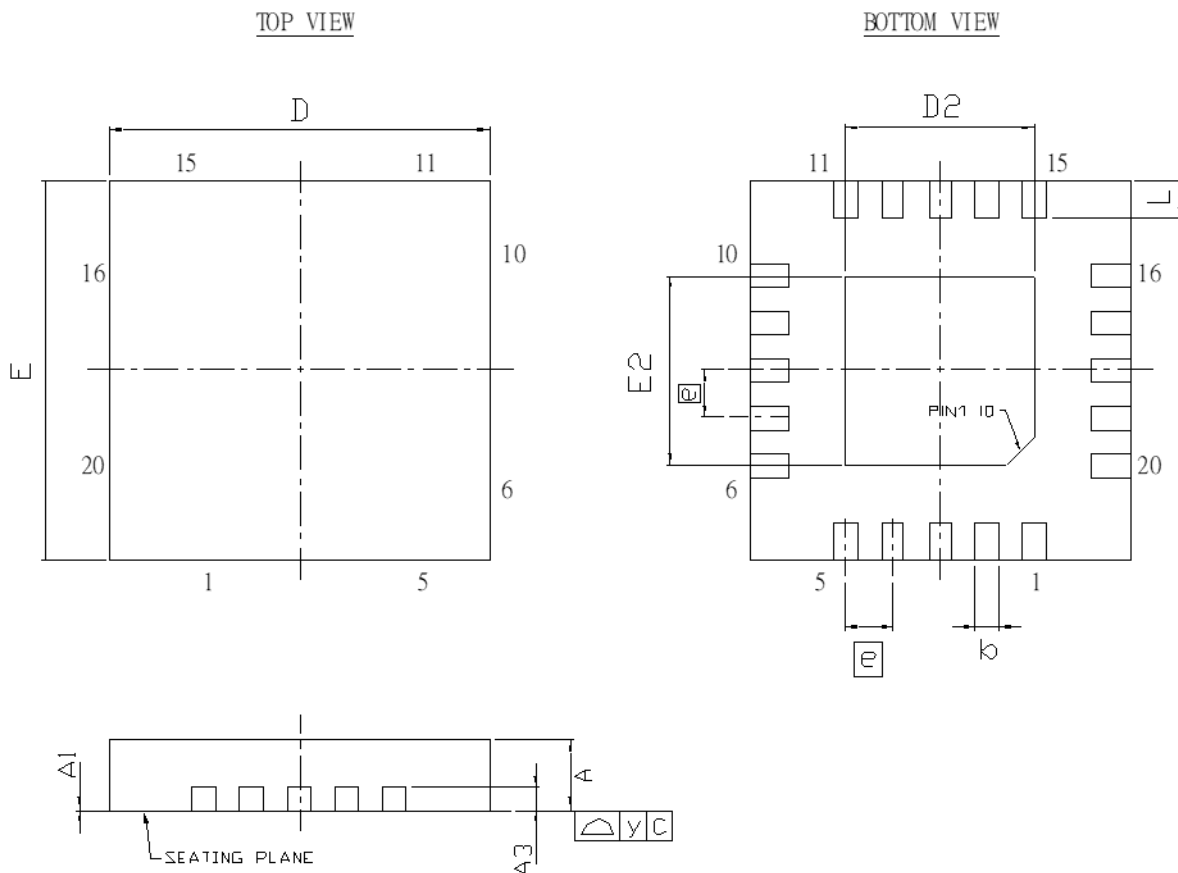


Notes:

1. All non-polar capacitors are assumed to be low ESR type parts, such as with MLC construction or similar. If capacitors are not low ESR, additional 0.1uF and/or 0.01uF capacitors may be necessary in parallel with the bulk 4.7uF capacitors on the supply rails. ( C1, C3, C5, C7, C11, 4.7uF must be added. Optional C2, C4, C12 depends on Low ESR Cap used.)
2. Digital Microphone power should be connected to MICBIAS, and set same voltage as VDDA
3. Damping Resistor R1~R5, the resistance may vary by different PCB.
4. I2C Low pass filter cut-off frequency should be 8MHz to 33MHz
5. VDDA on Pin 11 must have a separate capacitor to ground. (C7 must be added)

### 11. Package Information

20-lead plastic QFN20; 4X4mm<sup>2</sup>, 0.5mm lead pitch



Controlling Dimension :Millimeters

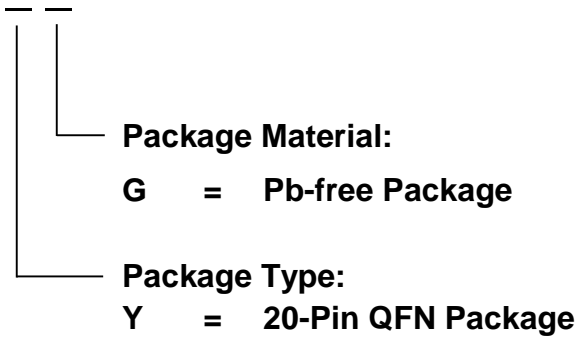
SYMBOL	DIMENSION (MM)			DIMENSION (Inch)		
	MIN.	NOM.	MAX.	MIN.	NOM.	MAX.
A	0.70	0.75	0.80	0.02756	0.02953	0.03150
A1	0	0.02	0.05	0	0.0079	0.00197
A2	0.203 RCF			0.0079 REF		
b	0.18	0.25	0.30	0.00709	0.00984	0.01181
D	3.90	4.00	4.10	0.1535	0.1575	0.1614
D2	1.90	2.00	2.10	0.0748	0.0787	0.0827
E	3.90	4.00	4.10	0.1535	0.1575	0.1614
E2	1.90	2.00	2.10	0.0748	0.0787	0.0827
<b>E</b>	0.50 BSC			0.01969 BSC		
L	0.30	0.40	0.50	0.01181	0.01574	0.01969
y	0.08			0.00315		

Note.D2,E2 by die size difference .

**12. Ordering Information**

<b>Part Number</b>	<b>Dimension</b>	<b>Package</b>	<b>Package Material</b>
NAU88L11YG	4x4 mm	QFN-20	Green

NAU88L11



### 13. Appendix

#### 13.1 MCLK/FS Table: Group 1 MCLK\_INT/FS ratio of 256

MCLK (MHz)	FS (KHz)	SYSCLK_SEL REG0x1[0]	MCLKSEL REG0x1[5:3]	MCLK_DIV REG0x3[2:0]	MCLK_INT (MHz)
2.048	8	0	-	1	2.048
4.096	16	0	-	1	4.096
6.144	24	0	-	1	6.144
8.192	32	0	-	1	8.192
11.2896	44.1	0	-	1	11.2896
12.288	48	0	-	1	12.288
22.5792	88.2	0	-	1	22.5792
24.576	96	0	-	1	24.576
4.096	8	0	-	2	2.048
8.192	16	0	-	2	4.096
12.288	24	0	-	2	6.144
16.384	32	0	-	2	8.192
22.5792	44.1	0	-	2	11.2896
24.576	48	0	-	2	12.288
6.144	8	0	-	3	2.048
12.288	16	0	-	3	4.096
18.432	24	0	-	3	6.144
24.576	32	0	-	3	8.192
8.192	8	0	-	4	2.048
16.384	16	0	-	4	4.096
24.576	24	0	-	4	6.144
12.288	8	0	-	6	2.048
24.576	16	0	-	6	4.096
2.048	16	1	b'000	1	4.096
3.072	24	1	b'000	1	6.144
4.096	32	1	b'000	1	8.192
5.6448	44.1	1	b'000	1	11.2896
6.144	48	1	b'000	1	12.288
11.2896	88.2	1	b'000	1	22.5792
12.288	96	1	b'000	1	24.576
2.048	8	1	b'000	2	2.048
4.096	16	1	b'000	2	4.096
6.144	24	1	b'000	2	6.144
8.192	32	1	b'000	2	8.192
11.2896	44.1	1	b'000	2	11.2896
12.288	48	1	b'000	2	12.288
22.5792	88.2	1	b'111	2	22.5792

MCLK (MHz)	FS (KHz)	SYSCLK_SEL REG0x1[0]	MCLKSEL REG0x1[5:3]	MCLK_DIV REG0x3[2:0]	MCLK_INT (MHz)
24.576	96	1	b'111	2	24.576
3.072	8	1	b'000	3	2.048
6.144	16	1	b'000	3	4.096
9.216	24	1	b'000	3	6.144
12.288	32	1	b'000	3	8.192
16.9344	44.1	1	b'100	3	11.2896
18.432	48	1	b'100	3	12.288
4.096	8	1	b'000	4	2.048
8.192	16	1	b'000	4	4.096
12.288	24	1	b'000	4	6.144
16.384	32	1	b'100	4	8.192
22.5792	44.1	1	b'111	4	11.2896
24.576	48	1	b'111	4	12.288
6.144	8	1	b'000	6	2.048
12.288	16	1	b'000	6	4.096
18.432	24	1	b'100	6	6.144
24.576	32	1	b'111	6	8.192

**13.2 MCLK/FS Table: Group 1 MCLK\_INT/FS ratio of 400**

MCLK (MHz)	FS (KHz)	SYSCLK_SEL REG0x1[0]	MCLKSEL REG0x1[5:3]	MCLK_DIV REG0x3[2:0]	MCLK_INT (MHz)
3.2	8	0	-	1	3.2
6.4	16	0	-	1	6.4
9.6	24	0	-	1	9.6
12.8	32	0	-	1	12.8
17.64	44.1	0	-	1	17.64
19.2	48	0	-	1	19.2
6.4	8	0	-	2	3.2
12.8	16	0	-	2	6.4
19.2	24	0	-	2	9.6
9.6	8	0	-	3	3.2
19.2	16	0	-	3	6.4
12.8	8	0	-	4	3.2
19.2	8	0	-	6	3.2
3.2	16	1	b'000	1	6.4
4.8	24	1	b'000	1	9.6
6.4	32	1	b'000	1	12.8
8.82	44.1	1	b'000	1	17.64



9.6	48	1	b'000	1	19.2
3.2	8	1	b'000	2	3.2
6.4	16	1	b'000	2	6.4
9.6	24	1	b'000	2	9.6
12.8	32	1	b'000	2	12.8
17.64	44.1	1	b'100	2	17.64
19.2	48	1	b'100	2	19.2
4.8	8	1	b'000	3	3.2
9.6	16	1	b'000	3	6.4
14.4	24	1	b'000	3	9.6
19.2	32	1	b'100	3	12.8
6.4	8	1	b'000	4	3.2
12.8	16	1	b'000	4	6.4
19.2	24	1	b'100	4	9.6
9.6	8	1	b'000	6	3.2
19.2	16	1	b'100	6	6.4

**13.3 MCLK/FS Table: Group 1 MCLK\_INT/FS ratio of 500**

MCLK (MHz)	FS (KHz)	SYSCLK_SEL REG0x1[0]	MCLKSEL REG0x1[5:3]	MCLK_DIV REG0x3[2:0]	MCLK_INT (MHz)
4	8	0	-	1	4
8	16	0	-	1	8
12	24	0	-	1	12
16	32	0	-	1	16
22.05	44.1	0	-	1	22.05
24	48	0	-	1	24
4	16	1	b'000	1	8
6	24	1	b'000	1	12
8	32	1	b'000	1	16
11.025	44.1	1	b'000	1	22.05
12	48	1	b'000	1	24

## 14. Revision History

Version			DESCRIPTION
#	Date	Page(s)	
1.4	Feb 19, 2021	All	Initial released version
1.5	Mar 3, 2021	2, 37,38	Fixed Type Error
1.6	Nov 18, 2021	44-58	Updated Register Table Format

### Important Notice

Nuvoton Products are neither intended nor warranted for usage in systems or equipment, any malfunction or failure of which may cause loss of human life, bodily injury or severe property damage. Such applications are deemed, "Insecure Usage".

Insecure usage includes, but is not limited to: equipment for surgical implementation, atomic energy control instruments, airplane or spaceship instruments, the control or operation of dynamic, brake or safety systems designed for vehicular use, traffic signal instruments, all types of safety devices, and other applications intended to support or sustain life.

All Insecure Usage shall be made at customer's risk, and in the event that third parties lay claims to Nuvoton as a result of customer's Insecure Usage, customer shall indemnify the damages and liabilities thus incurred by Nuvoton.

---

*Please note that all data and specifications are subject to change without notice.  
All the trademarks of products and companies mentioned in this datasheet belong to their respective owners.*